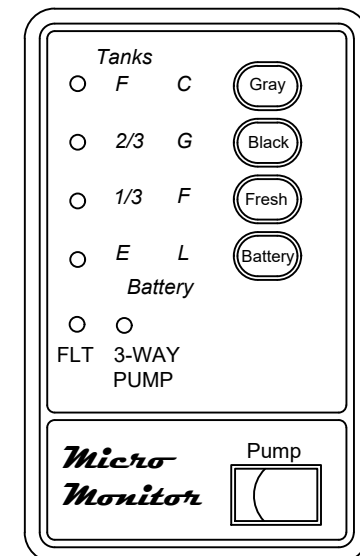
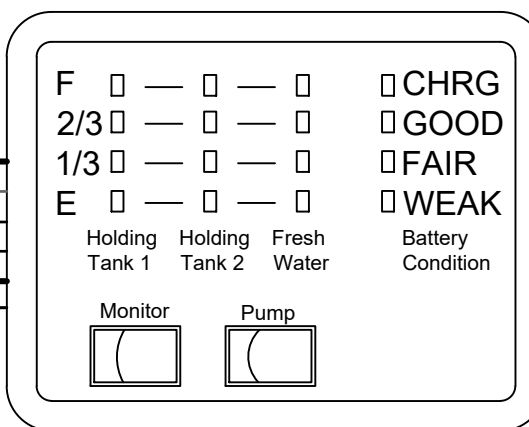
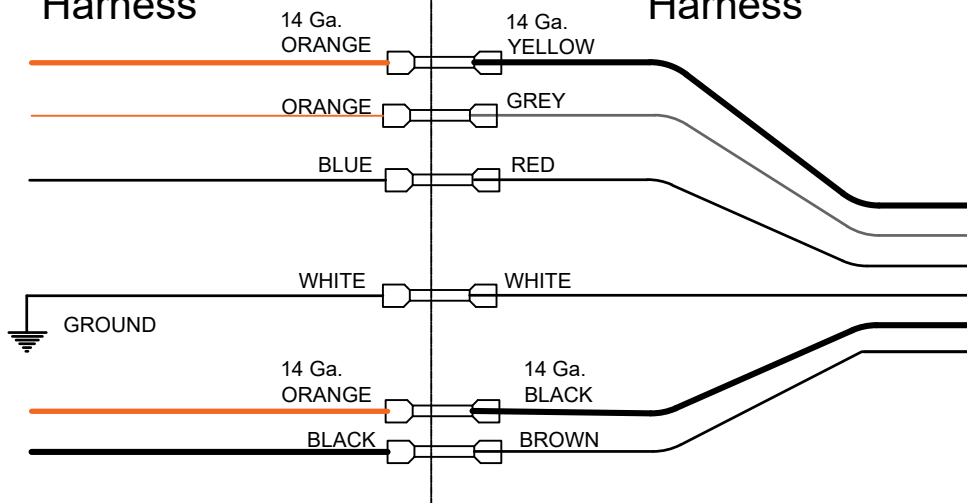


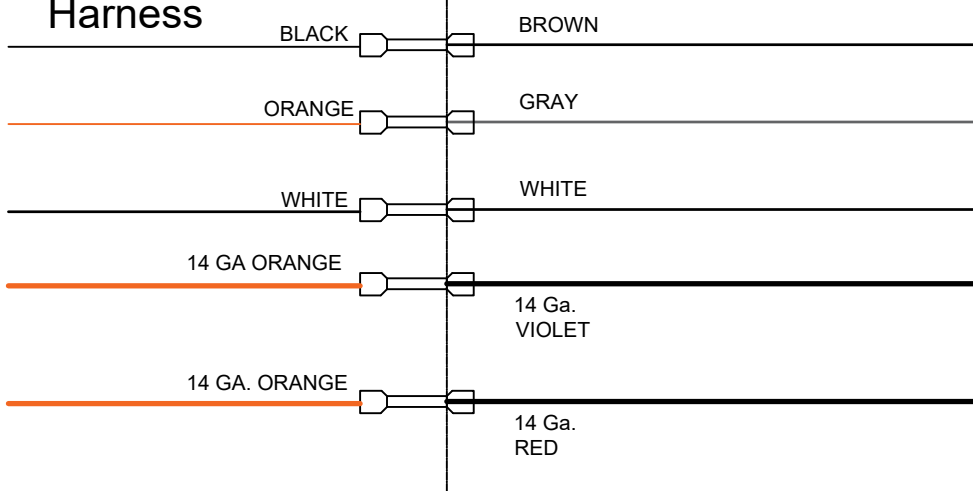
Northern Lite Harness

JRV Monitor Panel Harness



Northern Lite Harness

KIB Monitor Panel Harness



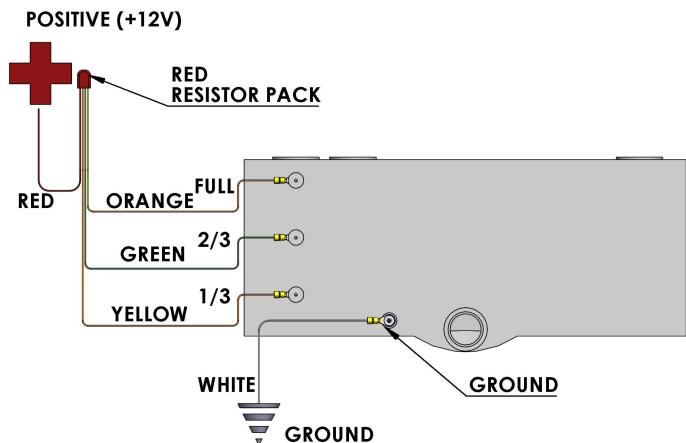
GENERAL NOTES	NO.	REVISION:	START	BY:	NO.	REVISION:	START	BY:	NO.	REVISION:	START BY:	DRAWING STATUS:	START DATE:	DRAW DATE:	ASSEMBLY NO.
	1				4				7			DRAWN BY:	CHECKED BY:	TITLE:	Northern Lite Campers Monitor Panel Wiring
	2				5				8			Paracholski		REFERENCE:	
	3				6				9			X-FILE:	REPLACED:	DRAWING NO.	NL0681

4

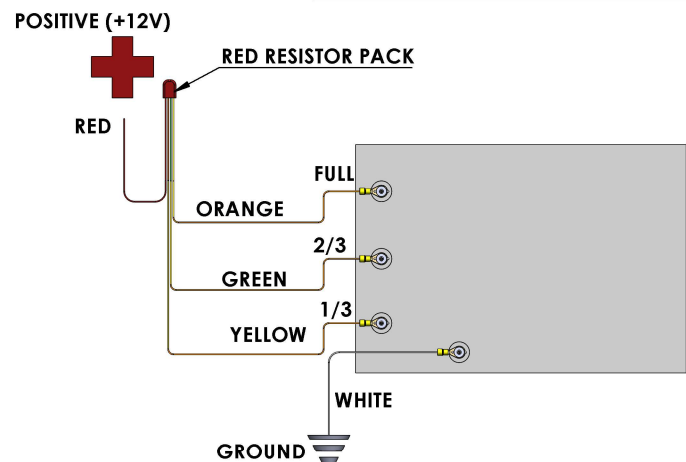
3

2

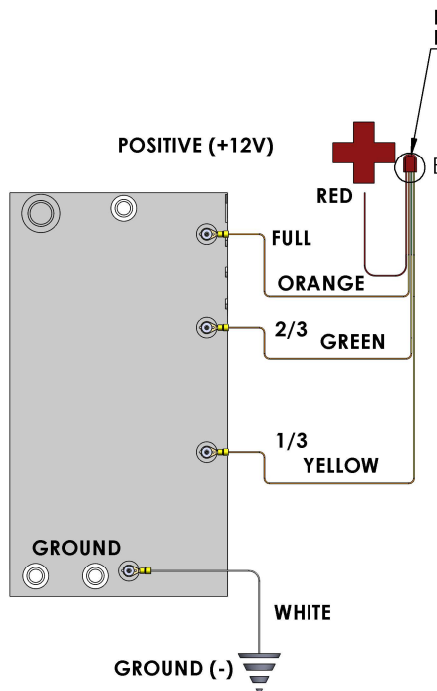
1



TYPICAL HORIZONTAL TANK WIRING



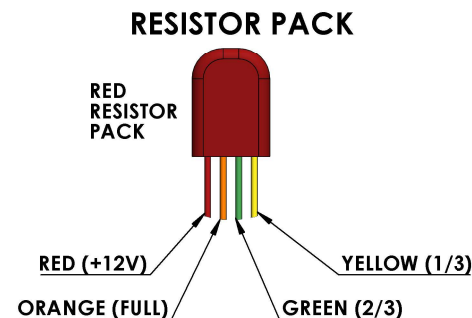
TYPICAL BLACK TANK WIRING



TYPICAL VERTICAL TANK WIRING

RED RESISTOR PACK

**DETAIL B
SCALE 1 : 1**



Although Northern Life uses different tank models for our various applications. All configurations are wired in the same manner with the same color wires.

Three typical tank layouts are shown. These drawings give you an idea of probe placement, and conductor color.

Note: all tanks use a "KIB" resistor pack with the Red Cap. Other resistor packs are available, but may produce false readings.

Tank Film from grease or other waste can bridge between probes, generating a false reading. Clean tank probes on a regular basis using a commercially available tank sensor/tank cleaner.

UNLESS OTHERWISE SPECIFIED: DIMENSIONS ARE IN INCHES TOLERANCES: FRACTIONAL ± ANGULAR: MACH ± BEND ± TWO PLACE DECIMAL ± THREE PLACE DECIMAL ± INTERPRET GEOMETRIC TOLERANCING PER: MATERIAL: FINISH: DO NOT SCALE DRAWING	DRAWN	NAME	DATE	Northern Lite Mfg. TITLE: Northern Lite Monitor Wiring at the Holding Tank SIZE DWG. NO. REV B NL1132 SCALE: 1:20 WEIGHT: SHEET 1 OF 1
	CHECKED			
	ENG APPR.			
	MFG APPR.			
	Q.A.			
	COMMENTS:			

PROPRIETARY AND CONFIDENTIAL
THE INFORMATION CONTAINED IN THIS DRAWING IS THE SOLE PROPERTY OF NORTHERN LIFE MANUFACTURING. ANY REPRODUCTION IN PART OR AS A WHOLE WITHOUT THE WRITTEN PERMISSION OF NORTHERN LIFE MFG. IS PROHIBITED.

4

3

2

1

B

B

A

A