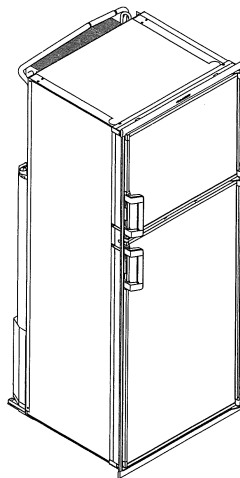


↗ DOMETIC

REFRIGERATION

REFRIGERATOR



DM2672, DM2872, DM2682, DM2882, DM2683

EN DM Refrigerators
Operating Manual

WARNING: Improper installation, adjustment, alteration, service or maintenance can cause injury or property damage. Refer to this manual. For assistance or additional information consult a qualified installer, service agency or the gas supplier.

FIRE OR EXPLOSION HAZARD

If you smell gas:

1. Open windows.
2. Do not attempt to light appliance.
3. Do not touch electrical switches.
4. Extinguish any open flame.
5. Shut off fuel supply.
6. Evacuate immediately and call emergency services.

Failure to follow these instructions could result in fire or explosion, which could cause property damage, personal injury, or death.



NORTH AMERICAN ADDRESS INFORMATION

USA & CANADA

Service Office
Dometic Corporation
1120 North Main Street
Elkhart, IN 46514

Service Center & Dealer Locations

Visit: www.dometic.com

Form No. 3317001.000 7/18 | ©2018 Dometic Corporation

Read these instructions carefully. These instructions MUST stay with this product.

CONTENTS

1	Explanation of symbols and safety instructions	3
2	Intended use	4
3	Refrigerator overview	4
4	Operation	8
5	Care and maintenance	11
6	Troubleshooting	14
7	Disposal	15

1 EXPLANATION OF SYMBOLS AND SAFETY INSTRUCTIONS

This manual has safety information and instructions to help you eliminate or reduce the risk of accidents and injuries.

1.1 Recognize safety information



This is the safety alert symbol. It is used to alert you to potential physical injury hazards. Obey all safety messages that follow this symbol to avoid possible injury or death.

1.2 Understand signal words

A signal word will identify safety messages and property damage messages, and will indicate the degree or level of hazard seriousness.



WARNING indicates a hazardous situation that, if **not** avoided, could result in death or serious injury.



CAUTION indicates a hazardous situation that, if **not** avoided, could result in minor or moderate injury.



NOTICE is used to address practices **not** related to physical injury.



indicates additional information that is **not** related to physical injury.

1.3 Supplemental directives



Read and follow all safety information and instructions to avoid possible injury or death.

Read and understand these instructions before use / maintenance of this product.

Incorrect operation of this product can lead to serious injury or death.

The installation must comply with all applicable local or national codes, including the latest edition of the following standards:

This appliance is certified under the latest edition of ANSI Z21.19, and CSA 1.4 Refrigerators using gas fuel. The installation must conform with local codes, or in absence of local codes, the following standards as applicable.

U.S.A.

- ANSI/NFPA70, National Electrical Code (NEC)
- ANSI/NFPA 1192, Recreational Vehicles Code
- Title 24 CFR, Part 3280, Manufactured Home Construction and Safety Standard
- National Fuel Gas Code, ANSI Z223.1/NFPA 54

Canada

- CSA C22.1, Parts I & II, Canadian Electrical Code
- CSA Z240 RV Series, Recreational Vehicles
- CSA Z240.4, Gas-Equipped Recreational Vehicles and Mobile Housing
- CSA B149.1, Natural Gas and Propane Installation Code CERTIFICATION

1.4 General safety messages



WARNING Failure to obey the following warnings could result in death or serious injury:

- This product must be serviced by a qualified service technician.
- Do **not** modify this product in any way. Modification can be extremely hazardous.
- Disconnect product from power supply (if applicable), and do **not** operate product when cleaning or maintaining product.
- Do **not** allow anyone (including children) with reduced physical, sensory or mental capabilities, or lack of experience and knowledge, to use this product unless they have been given supervision or instruction (concerning use of this product) by a person responsible for their safety.
- Do not allow children to play with product or with fixed controls (if applicable).
- **ABSORPTION-COOLING SYSTEMS: FIRE, BURN, OR INHALATION HAZARD.** Do **not** fracture or puncture cooling unit. The cooling unit is under pressure and contains ammonia, sodium chromate, and other

chemicals. Repeated or prolonged exposure to sodium chromate could cause organ damage or cancer. Exposure to a high concentration of ammonia refrigerant could cause pulmonary edema (fluid in lungs); chemical burns to eyes, lungs, and skin; and could cause a fire (when exposed to open flame).

- **COMPRESSOR-COOLING SYSTEMS: FIRE, FROSTBITE, OR INHALATION HAZARD.** Do **not** fracture or puncture cooling unit. The cooling unit is under pressure and contains tetrafluoroethane refrigerant, and may contain other chemicals. Contact with liquid refrigerant could cause irritation or frostbite to eyes and skin. Exposure to a high concentration of refrigerant could cause cardiac arrhythmia (irregular heartbeat). A high concentration of refrigerant could cause a fire (when exposed to open flame).
- **FIRE OR INHALATION HAZARD.** If the refrigerator stops working and/or it emits an ammonia smell, immediately turn the refrigerator off (if it is safe to do so), leave the vicinity, and contact a qualified service center.
- **CARBON MONOXIDE HAZARD.** This product can produce carbon monoxide, which has no odor and can be life-threatening. The burner and flue system must be kept clean.
- **FIRE OR EXPLOSION HAZARD:**
 - Do **not** store or use gasoline, oil or gasoline-soaked rags, or other flammable vapors and liquids, in the service area behind the refrigerator or in the vicinity of this or any other gas appliance.
 - Before refueling or parking near a gasoline pump, make sure all Liquid Propane (LP) gas appliances (vented to the outside of the RV) are shut off. Otherwise, fumes from gasoline pumps could come into contact with an LP gas appliance burner flame and ignite.
- **PRESSURE HAZARD.** Do **not** place carbonated liquids, glass containers, or sealed bottles in the freezer. Liquids expand when frozen and could cause the container to explode.

⚠ CAUTION Failure to obey the following cautions could result in injury:

- **FROSTBITE OR FROSTNIP HAZARD.** Do **not** touch cold surfaces (or stored items) in freezer compartment with damp or wet skin. Skin could stick to cold surfaces and freeze.
- **BURN HAZARD.** Cooling unit piping may be hot. Allow time to cool before touching.

2 INTENDED USE

The DM and RM refrigerators are designed and intended for use only inside a recreational vehicle (hereinafter referred to as "RV") for which it is supplied. Use the instructions to ensure correct operation of the refrigerator. Dometic Corporation accepts no liability for damage in the following cases:

- Faulty assembly or connection.
- Damage to the product resulting from mechanical influences and excess voltage.
- Alterations to the product without the expressed permission from Dometic.
- Use for purposes other than those described in the operating manual.

Dometic Corporation reserves the right to modify appearances and specifications without notice.

3 REFRIGERATOR OVERVIEW

Absorption cooling systems:

- Adjust the thermostat to the coldest temperature setting when turning on the refrigerator. The cooling cycle may require an extended running time before the cooling effect is observed.
- Turn off the refrigerator when it is not in use for an extended period of time.

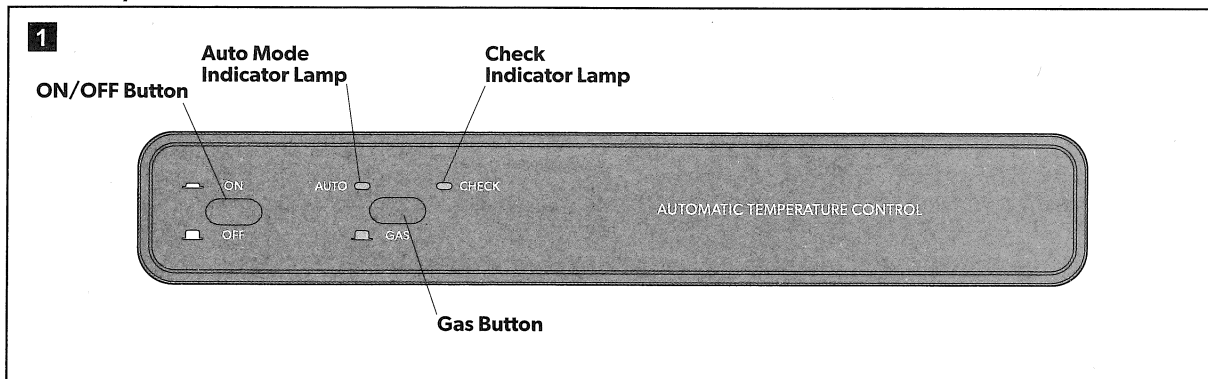
Automatic energy selector system:

- The refrigerator can automatically select the most suitable energy source available.
- The system can be user-set to be fully automatic (AUTO mode turned on), or to operate on LP gas only (AUTO mode turned off).

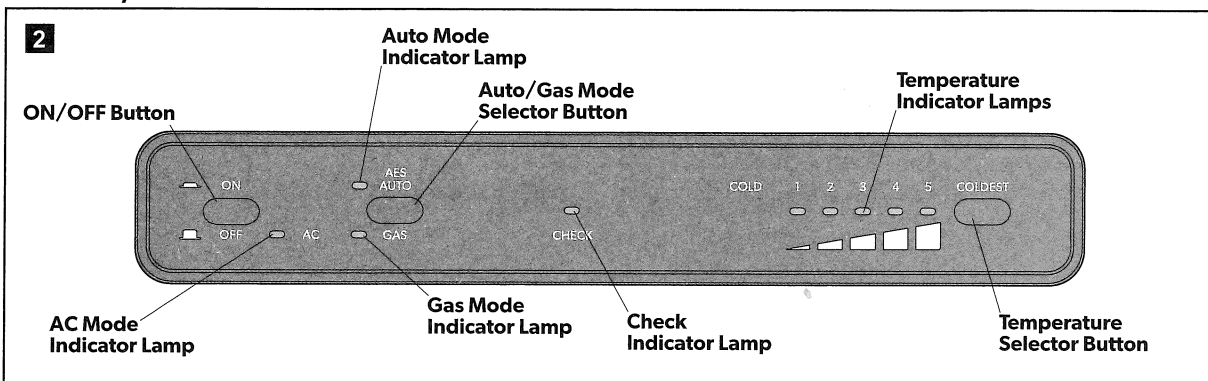
- The system can be manually set to DC mode on three-way models. DC mode overrides all other operating modes. The refrigerator controls will work down to 9.6 VDC.

3.1 Understanding the control panel

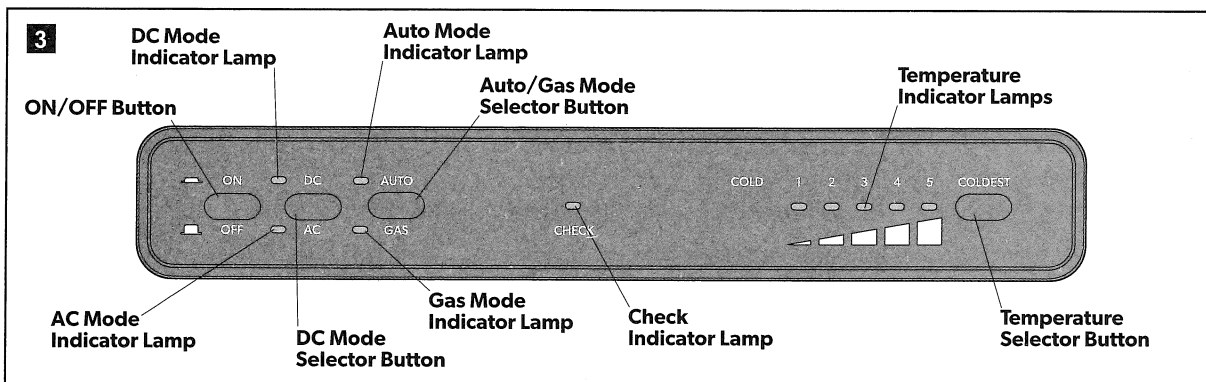
DM2672, DM2872



DM2682, DM2882



DM2683



Button	Function
ON/OFF	Main power control
AUTO/GAS	Selects mode: auto or gas
Temperature	Selects temperature setting
DC	Selects DC mode

Lamp	Function
AUTO	AUTO mode is activated
CHECK	Check burner status
GAS	GAS mode is activated
Temperature	Indicates temperature setting
AC	AC mode is activated
DC	DC mode is activated

3.2 Understanding the modes of operation

Auto mode

- The AUTO mode indicator lamp is illuminated.
- The control system will automatically select between AC and LP gas operation.
- AC has priority over LP gas. If AC is unavailable, the system will switch to LP gas. When AC is available, the system will switch back to AC.

DC mode



DM2683 only.

- When operating in DC mode, all other indicator lamps will be off.
- Press the DC selector button to turn off the DC mode and select another mode.
- Switch to AUTO or GAS mode when there is no charging of the house battery. Running the refrigerator on 12 VDC will quickly drain the battery.

Gas mode

- This mode provides LP gas only.
- The control system activates the ignition system and attempts to light the burner for about 45 seconds.
- **DM2672, DM2872:** When operating in GAS mode, the AUTO mode lamp will be off.
- If the burner fails to ignite, the CHECK indicator lamp will blink and beep.
- Restart the refrigerator if the CHECK indicator lamp is blinking and beeping. The CHECK indicator lamp and buzzer will not turn off until the refrigerator is restarted, even if AC becomes available.

Limp mode

- If a major operating component fails, the control system will continue operating the cooling system.



DM2672, DM2872:

- The control will run the cooling unit continuously if it cannot read the temperature sensor.
- The refrigerator will continue operating in this mode indefinitely, or until a new sensor is installed and the system is reset.



DM2682, DM2683, DM2882:

- If the display module becomes nonfunctional:
 - The control system reverts to full automatic operation.
 - The temperature setting is maintained at the middle position.
 - The power module will continue to re-establish operation of the display module.
- If the temperature sensor fails:
 - The control system operates on the energy source selected on the control panel.
 - The cooling unit runs continuously.
 - The refrigerator will continue to operate in this mode indefinitely, or until a new sensor is installed and the system is reset.

3.3 Understanding the storage compartments

Food storage



Read **before** proceeding:

- The food storage compartment should remain closed to maintain the required temperature.
- The coldest locations in the refrigerator are under the cooling fins and at the bottom of the refrigerator.
- The warmest locations in the refrigerator are on the upper door shelves.
- Cover foods to maintain freshness.
- Allow the refrigerator to cool before placing food inside.
- Allow hot drinks or food to cool to room temperature before placing them inside the refrigerator.
- Arrange foods in the refrigerator to allow for free air circulation. Do **not** overstock the refrigerator.
- Ensure that the refrigerator door is not left open longer than necessary. This will reduce frost formation and maintain the efficiency of the refrigerator

Frozen food storage



The frozen food storage compartment is not designed for deep- or quick-freezing food.

- Cover foods to prevent them from drying out.
- Place quick frozen fruits and ice cream at the bottom of the aluminum liner.
- Wipe excess moisture off items before storing them in the frozen food storage compartment. This will prevent frost buildup.
- Allow meat and fish to precool in the refrigerator before storing it in the frozen food storage compartment.

Model	Total Refrigerated Volume (cu. ft)
DM2672, DM2682, DM2683	6
DM2872, DM2882	8

Ice Cubes



DM2672, DM2872 are controlled by factory preset temperature settings.

- Place ice cube trays in direct contact with the freezer compartment.

DM2682, DM2683, DM2882:

- Set the thermostat to the highest setting to make ice more rapidly.
- Return the thermostat to the normal setting once ice is formed to prevent the refrigerator from becoming too cold.

4 OPERATION



Read **before** proceeding:

- Keeping the refrigerator level:
 - The refrigerator must be kept level when the RV is parked for several hours or more.
 - Loss of cooling could occur if the refrigerator operates in a noticeable out-of-level position for several hours.
 - It is **not** critical for the refrigerator to be level when traveling.
- Operating the refrigerator at high altitudes:
 - When the refrigerator is operating on LP gas, reduced cooling performance and burner outage may occur at elevations higher than 5,500 feet above sea level.
 - Operate the refrigerator on electric power at altitudes higher than 5,500 feet.
- Operating the refrigerator in extreme cold:
 - Refrigerator performance may be reduced in sub-zero temperatures. This temporary condition is normal for absorption refrigerators.



Ice maker models only: the refrigerator is equipped with a heater tape wrapped around the water solenoid valve and outlet water tube. During cold weather operation below 32 °F (0 °C), the automatic temperature switch will turn the heater tape on automatically.

4.1 Starting the refrigerator



WARNING FIRE HAZARD. Make sure there are no obstructions (blockage) between burner jet and burner tube BEFORE lighting LP gas burner. Failure to obey this warning could result in death or serious injury.

- Check that all the manual gas valves are in the ON position.
- Ensure that a continuous 12 VDC supply is available for the electronic control to function.
- Press the ON/OFF button.
- Select the operation mode:
 - **AUTO mode (AC and Gas):** Press the AUTO/GAS mode selector button (if not already on). The illuminated lamp indicates the selected mode. If the CHECK indicator lamp is blinking and beeping, refer to “4.2 Reigniting the burner” on page 8.
 - **GAS mode (LP gas operation only):** Press the AUTO/GAS mode selector button to turn off the AUTO mode (if not already off). Within 45 seconds, the burner should ignite and operate normally.
 - **DC mode (three-way models only):** Press the DC mode indicator button. The DC lamp will be turned on. To select AUTO or GAS mode, turn off the DC mode by pressing the DC mode selector button. The DC lamp will then turn off.



Refer to section “3.1 Understanding the control panel” on page 5.

4.2 Reigniting the burner

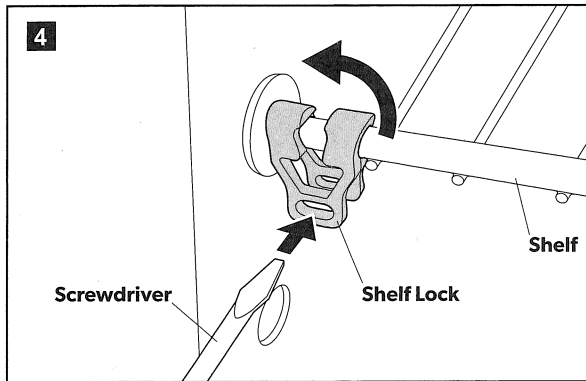
- If the CHECK indicator lamp is blinking and beeping, turn the refrigerator OFF for five seconds and then ON again.



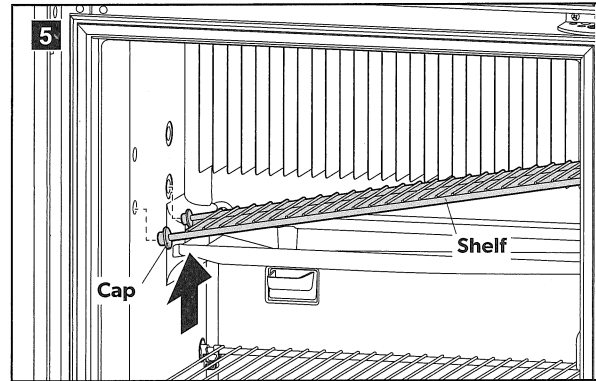
Read **before** proceeding:

- If 120 VAC becomes available while the CHECK indicator lamp is blinking and beeping, the CHECK lamp will remain blinking and beeping until the refrigerator is restarted. The refrigerator will operate on 120 VAC during this time.
- Refer to section “3.1 Understanding the control panel” on page 5.

4.3 Removing and replacing the shelves



- Remove the shelf locks by inserting the tip of a flat-bladed screwdriver into the slot in the locks.
- Turn the screwdriver counterclockwise and remove the shelf locks from the wire shelf.
- Slide the shelf to the left until the plastic caps disengage.
- Tilt the shelf to one side at an angle while pulling forward.



- Reposition the shelf in the desired location.
- Insert the ends of the wire shelf on the left-hand side and slide the shelf into the holes on the right-hand side.
- Slide the plastic caps into the holes of the wall.
- Snap the shelf locks back onto the wire shelf.

4.4 Adjusting the thermostat

i **DM2682, DM2683, DM2882:** The thermostat controls both the gas and electric operation. After the initial start-up, adjust the thermostat to the desired temperature setting.

- Press the temperature selector button until the lamp at the desired setting is illuminated.

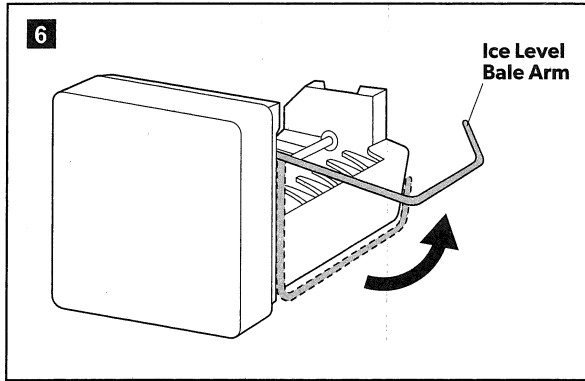
i **DM2672, DM2872:** The temperature is controlled by a factory-preset temperature setting.

4.5 Using the ice maker (if equipped)

i Read **before** proceeding:

- The first few cycles may produce small ice cubes due to air trapped in the water lines.
- If ice cubes remain too small or stick together, refer to "Adjusting the ice cube size" on page 10.
- Discard the first container of ice cubes if the water system has been winterized or out of use for several weeks.

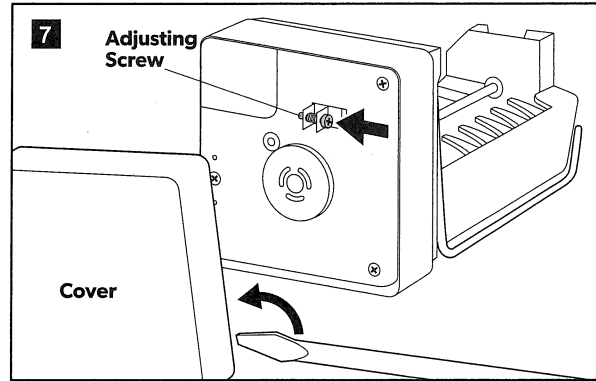
Turning the ice maker on and off



- Ensure that the refrigerator is connected to 120 VAC.
- Open the valve supplying water to the refrigerator.
- Keep the bale arm in the up (OFF) position until water enters the ice maker.
- Set the bale arm in the down (ON) position once there is ice in the ice maker.
- Raise the bale arm to the up (OFF) position about 1-1/2 hours before traveling, to allow the water in the mold assembly to freeze and prevent water from splashing out of the mold assembly.

i The ice maker will automatically fill the mold assembly and eject the ice cubes into the storage bin until it is full.

Adjusting the ice cube size



i Read before proceeding:

- The water supply system must have a minimum pressure of 15 pounds-per-square-inch gauge (psig).
- A 1/4" diameter water line to the water valve must be used at the rear of the refrigerator.
- The water line must have a manual shutoff valve in an easily accessible location.
- The maximum water level is represented by a thin line on the mold assembly. Do not allow the water level to exceed this line.
- Remove the protective cover from the ice maker by inserting a flat-bladed screwdriver into the slot and gently twisting the screwdriver.
- Adjust the ice cube size by turning the adjusting screw counterclockwise to increase the size of the ice cubes, and clockwise to decrease the size of the ice cubes.

i Do **not** turn the adjustment screw more than one revolution at a time.

- Place the protective cover back on the ice maker.
- Allow the ice maker to cycle several times before making further adjustments.

4.6 Turning off the refrigerator

NOTICE Do **not** allow the refrigerator to run unattended when there is a risk of loss of electricity or fuel. Food spoilage could occur.

- Press the ON/OFF button on the control panel to the OFF position to shut off all power to the refrigerator.

i The refrigerator's control system will consume a few milliamps even after it is turned off. If the RV is being put into winter storage, put the RV batteries on a battery charger or turn off the RV's main 12 VDC switch to prevent the battery from discharging.

i Refer to section "3.1 Understanding the control panel" on page 5.

5 CARE AND MAINTENANCE

NOTICE Failure to obey the following notices could result in damage to the refrigerator:

- Do **not** use a hot-air blower to remove frost from storage compartment(s). Permanent damage could occur, including warped metal or plastic parts.
- Do **not** use strong chemicals or abrasives to clean parts, as their protective surfaces will be damaged.



Read **before** proceeding:

- Any absorption refrigerator that is to be taken out of service for an extended period of time must be turned off.
- Do **not** allow the refrigerator to run idle or unattended for an extended period.
- If the refrigerator has not been used for a long time, or the LP tanks have been refilled, air may be trapped in the supply lines.
 - Turn the refrigerator OFF and then ON to purge the air from the lines.
 - Repeat this procedure up to four times if the burner does not light after 45 seconds.
 - Ensure that the LP gas supply tanks are not empty, and that all manual shutoff valves in the lines are open, if repeated attempts fail.
 - Turn the refrigerator OFF and contact a service center if the problem persists.

5.1 Defrosting the refrigerator

- Press the main power ON/OFF button to turn OFF the refrigerator.



Refer to section "3.1 Understanding the control panel" on page 5.

- Empty the refrigerator.
- Ensure that the drip tray is in place under the finned evaporator in the food storage compartment.
- Leave the cabinet and freezer doors open.

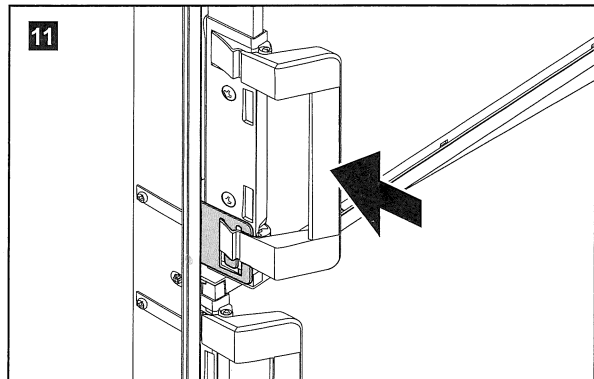
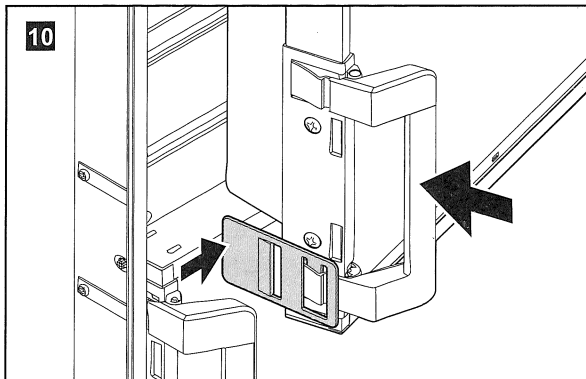
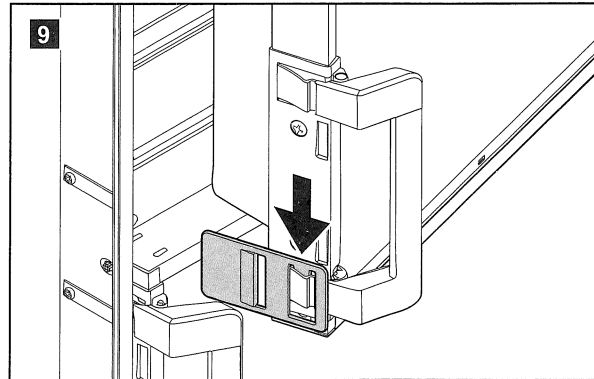
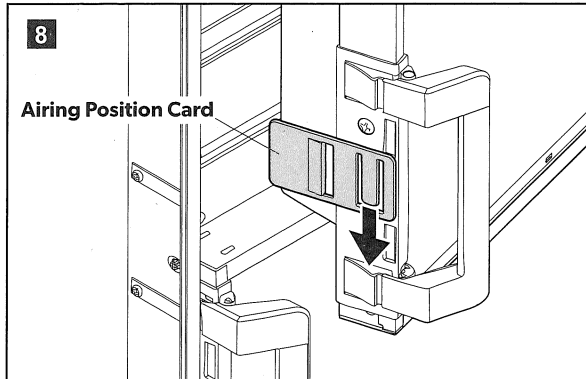


Defrosting time can be reduced by filling ice trays with hot water and placing them in the freezer compartment.

5.2 Using the door airing position card

i DM2672, DM2682, DM2683, DM2872, DM2882:

- Use the door airing position card to keep the doors latched, but ajar, if the refrigerator is to be put into storage or will not be used for an extended period of time.



5.3 Cleaning the refrigerator

- Inspect and clean the refrigerator components periodically to keep the refrigerator operating efficiently.
- Use a lukewarm, weak solution of baking soda and water to clean the interior liner of the refrigerator.
- Use warm water only to clean the finned evaporator, gasket, and shelves.

i Do **not** spray liquids near electrical outlets, connections, or other refrigerator components.

- Ensure that the thermistor bulb and thermistor bracket are properly positioned. Refer to "6 Troubleshooting" on page 14.
- Check the lower vent, upper vent, and the area between these openings for any obstructions, such as bird or insect nests.
- Dust off the coils on the back of the refrigerator, if accessible, using a soft-bristled brush.

i Refer to sections "5.5 Maintaining the refrigerator" on page 13 and "6 Troubleshooting" on page 14.

5.4 Preparing the refrigerator for storage/winterizing the refrigerator

- Defrost the refrigerator. Refer to "5.1 Defrosting the refrigerator" on page 11.
- Prepare the ice maker, if equipped. This procedure must be performed by a qualified service technician.
- Clean the refrigerator. Refer to "5.3 Cleaning the refrigerator" on page 12.
- Place doors in the airing position. For models DM2672, DM2682, DM2683, DM2872, and DM2882, refer to "5.2 Using the door airing position card" on page 12.

5.5 Maintaining the refrigerator

i Read **before** proceeding:

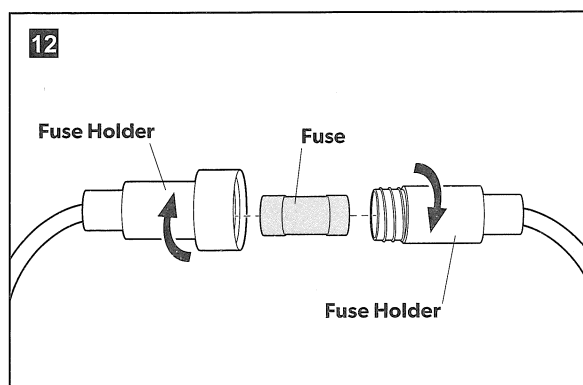
- Two-way models are equipped with two fuses, one for the refrigerator control system and one for the AC heater.
- The fuse for the control system is a resettable fuse and must **not** be replaced with a standard fuse. If the resettable fuse has been tripped:
 - Determine and remedy the cause.
 - Press the ON / OFF button to OFF.
 - Wait five seconds.
 - Press the ON/OFF button to ON.
- Three-way models are equipped with three fuses: two fuses in the power module, and one inline blade fuse.

Changing the power module fuse

- Turn OFF the refrigerator.
- Unplug the refrigerator for 120 VAC and disconnect the 12 VDC wires.
- Remove the power module cover.
- Snap the fuse out of the fuse holder and fit the new fuse into the fuse holder.
- Replace the power module cover according to the instructions molded on the cover.
- Reconnect the 12 VDC wires and plug in the 120 VAC power cord.
- Turn ON the refrigerator.

Control System	3 A
AC Heater	5 A
12 VDC Heater	30 A

DM2672 (OPTIONAL FAN), DM2872 (OPTIONAL FAN) & DM2882 (OPTIONAL FAN): Inline Fuse Replacement



i Refrigerators equipped with a vent fan(s) include an inline fuse on the wire supplying power to the fans(s). This wire is connected to the 12 VDC terminal block supplying DC power to the refrigerator controls.

- Disconnect 12 VDC power.
- Open the fuse holder.
- Replace the fuse using a 3 A fuse.
- Screw the fuse holder back together.
- Reconnect 12 VDC power.

Maintenance items

Owner-Performed	Qualified Service Technician-Performed
Cleaning the refrigerator	Checking the LP gas connections
Defrosting the refrigerator	Checking the control system
Winterizing the refrigerator	Cleaning the burner
Changing the fuses	Removing and disposing of the refrigerator

6 TROUBLESHOOTING

Symptom	Check/Remedial Action
Refrigerator stops cooling.	<p>Turn off the refrigerator immediately and contact a Dometic dealer or service center for repair.</p> <p>Do not leave the refrigerator running for an extended period of time.</p> <p>Do not attempt to solve the problem by repeatedly restarting the refrigerator.</p> <p>Do not use the refrigerator until it has been repaired.</p>
Refrigerator emits an ammonia smell.	<p>Immediately turn the refrigerator off at the front control panel.</p> <p>Do not open refrigerator doors.</p> <p>Open RV windows and doors (to air out the RV) and evacuate.</p> <p>Turn off manual LP gas valve at the rear of the refrigerator.</p> <p>Disconnect the 120 VAC power at the rear of the refrigerator.</p> <p>Contact a Dometic dealer or service center for repair.</p> <p>Do not use the refrigerator until it has been repaired.</p>
Refrigerator or freezer is not cold enough.	<p>Check the thermostat (if present) and adjust it if necessary.</p> <p>Check the outlet by plugging in another device.</p> <p>Ensure that the refrigerator is level.</p> <p>Inspect the door gasket.</p> <p>Ensure that there is not heavy frost buildup on the evaporator fins.</p> <p>Ensure that the refrigerator is not overpacked.</p>
Refrigerator does not work on electric.	<p>Check the outlet by plugging in another device.</p> <p>Check if there is a power failure.</p> <p>Check the AC fuse in the refrigerator Power/Control module.</p> <p>Turn off the refrigerator and contact a Dometic dealer or service center for repair if the problem persists.</p>
Refrigerator does not work in gas operation mode.	<p>Check the LP gas tank and change it if necessary.</p> <p>Purge air from the gas line by repeating the ignition sequence.</p> <p>Turn off the refrigerator and contact a Dometic dealer or service center for repair if the problem persists.</p>
Refrigerator emits an odor from fumes.	<p>Turn off the refrigerator and contact a Dometic dealer or service center for repair.</p>
Refrigerator is too cold.	<p>Ensure that the thermistor bracket is clipped to the last evaporator fin on the right side of the cooling flange and centered vertically on the fin.</p> <p>Ensure that the thermistor bulb is positioned inside the thermistor bracket groove and centered vertically in the bracket.</p>



If the problem persists and the refrigerator is still not working properly, turn refrigerator OFF and contact the nearest service center. State the problem, model, product, and serial number. These details are stated on the data label inside the refrigerator compartment.

7 DISPOSAL

⚠ WARNING SUFFOCATION AND ENTRAPMENT HAZARD: Remove fresh food and freezer doors from refrigerator prior to disposal. Failure to obey this warning could entrap a child and result in death or brain damage.



Leave shelves in place to prevent children from easily climbing inside the refrigerator. Recycle the refrigerator using environmentally responsible practices.



Refrigerants must be recovered/recycled by a licensed technician who is EPA certified in refrigerant recovery and recycling procedures. Disposal must comply with all applicable local and national codes.



LIMITED TWO-YEAR WARRANTY (DOMETIC REFRIGERATORS)

THE SELLER NAMED BELOW MAKES THE FOLLOWING WARRANTY WITH RESPECT TO THE DOMETIC PRODUCT:

1. This Warranty is made only to the first purchaser (hereinafter referred to as the "Original Purchaser"), who acquires the Dometic Product for his or her own use and when the Dometic Product is installed and operated within the continental United States and Canada.
2. **WARRANTY PERIOD:** This Warranty will be in effect for two (2) years from the date of purchase by the Original Purchaser. The Original Purchaser should retain a copy of the dated bill of sale as evidence of the date of purchase.
3. **WARRANTY:** This Warranty covers labor, specified parts, and freight. The Dometic Product shall be free from defects in material and workmanship at the time of sale and under normal use. All Dometic Products (except those specifically built for commercial use) are warranted only when installed per the Seller's installation instructions on vehicles built to R.V.I.A. A119-2 and C.R.V.A. Z-240 Standards. This Warranty does NOT cover conditions unrelated to the material and workmanship of the Dometic Product. Such unrelated conditions include, but are not limited to: (a) damage NOT reported within 10 days of ownership; (b) faulty installation or installation that does not comply with the Seller's instructions or R.V.I.A. and C.R.V.A. standards, and any damage resulting from such; (c) damage or failure caused by installation of accessories not manufactured and marketed by the Seller or any non-Dometic parts that are installed as replacement parts; (d) the need for normal maintenance and any damage resulting from the failure to provide such maintenance; (e) failure to follow Seller's instructions for use of this Dometic Product; (f) flame outage due to blow out or high altitude; (g) reduced performance due to high altitude; (h) radio frequency interference (RFI) or electromagnetic interference (EMI); (i) 12 VDC system chassis ground decay and corrosion; (j) puncture of foam cabinet or vacuum insulated panels after acknowledged receipt; (k) animal or insect infiltration which damages unit or inhibits performance; (l) any accident to, or misuse of, any part of the Dometic Product and any alteration by anyone other than the Seller or its authorized representative; and (m) normal wear.
4. **WARRANTY COVERS DOMETIC COMPONENT PARTS:** Major components (cooling unit, LP gas valve, burner, burner housing, electronic display, electronic module, evaporator fins, foam integrity, frame, thermistor, spark probe, ignition wire, ice maker compressor, second absorption loop, display escutcheon, lower toe plate, humidity switch, frame heater mullion, ice maker mullion) are covered for labor, parts and freight for two (2) years from date of purchase. All other components that fail must be reported within the first 90 days of ownership in order to receive warranty coverage for labor, parts and freight.
5. The Original Purchaser must provide preventative maintenance on a yearly basis, beginning at the first anniversary of the date of purchase. The Original Purchaser must keep a record of the preventative maintenance to keep the warranty in effect. Failure of the Original Purchaser in providing this annual maintenance may void the warranty. The preventative maintenance must be performed at a Dometic Authorized Service Center/Dealer. The required preventative maintenance is an inspection, cleaning and full diagnostics performed on the entire electronic system, burner assembly, wiring and cooling unit. A copy of the receipt covering the maintenance checks must accompany the warranty claim during the second year of ownership. The cost of this preventative maintenance is the Original Purchaser's responsibility and the preventative maintenance should take about one hour.
6. **WARRANTY REMEDY:** In order to obtain the benefits of this Warranty, the Original Purchaser has the following two options during the **WARRANTY PERIOD:**
 - a. Preferred option: Deliver the Dometic Product for inspection to the nearest Authorized Dometic Service Center during the Warranty Period. To obtain the location of the nearest Authorized Dometic Service Center, refer to <https://www.dometic.com/en-us/us/find-a-dealer>. The Authorized Dometic Service Center will work with the Seller to obtain Warranty coverage if a Seller defect is identified. **CONFIRM THE SERVICE CENTER IS AN AUTHORIZED DOMETIC SERVICE CENTER. DO NOT PAY THE SERVICE CENTER FOR WARRANTY REPAIRS.**
 - b. Second option: If it is not feasible under the circumstances to deliver the Dometic Product to an Authorized Dometic Service Center, please call 1-800-544-4881 for additional Warranty assistance. Seller prefers option a. first and only option b. if option a. is determined not to be feasible under the circumstances.
7. Any item returned in the manner described in paragraph 6 will be examined by the Authorized Dometic Service Center. If it is found that the returned item was defective in material and workmanship at the time of sale, the Authorized Dometic Service Center will contact the Seller for Warranty coverage. The Seller shall, at Dometic's sole option, repair or replace the Dometic Product, or refund Original Purchaser's purchase price. If the Seller determines that repairs to the Dometic Product are to be made, then only authorized Dometic parts will be used.
8. The Seller does not authorize any person or company to create any Warranty obligations or liability on its behalf. This Warranty is not extended by the length of time which you are deprived of the use of the Dometic Product.
9. **IN NO EVENT SHALL SELLER BE LIABLE FOR EITHER INCIDENTAL OR CONSEQUENTIAL DAMAGES. THIS INCLUDES ANY DAMAGE TO ANOTHER PRODUCT OR PRODUCTS RESULTING FROM SUCH A DEFECT. SOME STATES DO NOT ALLOW THE EXCLUSION OR LIMITATION OF INCIDENTAL OR CONSEQUENTIAL DAMAGES, SO THE ABOVE LIMITATIONS MAY NOT APPLY TO YOU.**
10. **ANY IMPLIED WARRANTY, INCLUDING THE IMPLIED WARRANTY OF MERCHANTABILITY AND FITNESS FOR ANY PURPOSE, IS LIMITED TO THE DURATION OF THIS LIMITED WARRANTY. SOME STATES DO NOT ALLOW LIMITATIONS ON HOW LONG AN IMPLIED WARRANTY LASTS, SO THE ABOVE LIMITATION MAY NOT APPLY TO YOU.**
11. **THIS WARRANTY GIVES SPECIFIC LEGAL RIGHTS, YOU MAY ALSO HAVE OTHER RIGHTS WHICH VARY FROM STATE TO STATE.** No action to enforce this Warranty shall be commenced later than ninety (90) days after the expiration of the Warranty Period. Claims must be submitted in writing to the Dometic Warranty Department.
12. The Seller reserves the right to change the design of any Dometic product without notice and with no obligation to make corresponding changes in Dometic products previously manufactured.

PROTECTION FOR YOUR NEW INVESTMENT

We appreciate that you have chosen to purchase a Dometic product for your recreational vehicle and we want to help you protect this wise investment. We at Dometic, back our products with one of the most comprehensive warranties in the industry. **Register your product online at: www.eDometic.com.**

Dometic Corporation

Warranty Department
1120 North Main Street
Elkhart, Indiana 46514
1-574-294-2511
Register Your Product @
www.eDometic.com

Form No. 3316980.000 (10/17)
(French 3316985.000)
©2017 Dometic Corporation
LaGrange, IN 46761