



LITERATURE NUMBER MPD 93755

DOMETIC CORPORATION
 1120 North Main Street, Elkhart, IN 46516
 PHONE: 1-866-869-3118
 INTERNET: WWW.EDOMETIC.COM
 EMAIL: CUSTOMERSUPPORTCENTER@DOMETIC.COM



**L.P. GAS
 WATER HEATER
 4 - 6 - 10 GALLON
 Models 4-E & 10-E**

ENGLISH, FRANCAIS (et Canada)

This water heater design has been certified by the Canadian Standards Association for installation in recreation vehicles. **This water heater is not for use in marine applications.**

SERVICE CALLS & QUESTIONS

Location and phone numbers of qualified Service Centers can be found at our website <http://www.edometic.com> or call 1-866-869-3118 to have a Service Center List mailed.

SAFETY ALERT SYMBOLS	
Safety Symbols alerting you to potential personal safety hazards. Obey all safety messages following these symbols.	
WARNING avoid possible injury or death	CAUTION avoid possible injury and/or property damage

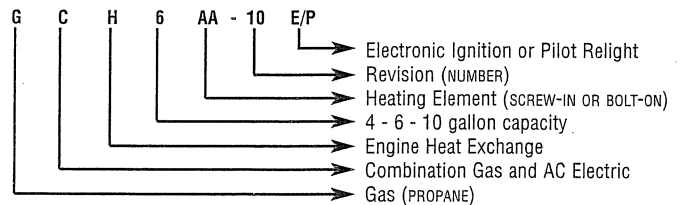
Installation and service must be performed by a qualified Service Technician, Service Center, OEM or Gas Supplier.

WARNING FIRE OR EXPLOSION
<ul style="list-style-type: none"> • If the information in this manual is not followed exactly, a fire or explosion may result causing property damage, personal injury or loss of life.
<p>➤ Do not store or use gasoline or other flammable vapors and liquids in the vicinity of this or any other appliance.</p> <p>WHAT TO DO IF YOU SMELL GAS</p> <ul style="list-style-type: none"> • Evacuate ALL persons from vehicle. • Shut off gas supply at gas container or source. • DO NOT touch any electrical switch, or use any phone or radio in vehicle. • DO NOT start vehicle's engine or electric generator. • Contact nearest gas supplier or qualified Service Technician for repairs. • If you cannot reach a gas supplier or qualified Service Technician, contact the nearest fire department. • DO NOT turn on gas supply until gas leak(s) has been repaired.

•Installation •Operation •Maintenance
 Effective 09.22.17

WATER HEATER	MODEL IDENTIFICATION	1
	DIMENSIONS	1
	WEIGHT	1
SAFETY INFORMATION		2-4
Water Heater GENERAL INSTALLATION		2-3
Wiring		
Cutout Chart		
Pressure - Temperature Relief Valve		
Consumer Safety Warnings		3
How to Operate Your Water Heater		3-4
Maintenance and Care Instructions		4-5
Preventative Maintenance		5
Winterizing (Flushing) Instructions		5
Pressure-Temperature Relief Valve		5
Flushing to Remove Unpleasant Odor		5
FIGURES 1-12		6-7
PART IDENTIFICATION		8
Water Heater WARRANTY		16

EXPLANATION OF MODEL NUMBER (EXAMPLE)



- IF YOUR MODEL NUMBER IS NOT LISTED -
 Older revision numbers may be 3, 4, 6, 7, 8 or 9 (_ _ _ _ - X _)

Regardless of your revision number the current instructions are still generally applicable to your unit. If you have questions contact your dealer, an Dometic Service Center or the Dometic Service Department.

MODEL NUMBER CLARIFICATION					
TYPE	4 GAL	6 GAL		10 GAL	
Pilot Ignition	G4-7	G6A-7	GC6AA-8P	G10-2	GC10A-2
		GC6AA-8	GH6-7	G10-2P	GC10A-2P
Electronic Ignition		G6A-8E	GCH6A-10E	G10-3E	GCH10A-4E
		GC6AA-10E	GH6-8E	GC10A-4E	GH10-3E
Pilot Relight	P IN MODEL # - SEE MODEL CLARIFICATION ABOVE				
Heat Exchange	H IN MODEL # - SEE MODEL CLARIFICATION ABOVE				
Electronic Ignition	E IN MODEL # - SEE MODEL CLARIFICATION ABOVE				
Combination Gas/Electric	C IN MODEL # - SEE MODEL CLARIFICATION ABOVE				
DIMENSIONS				SHIPPING WT.	
ALL MODEL	WIDTH	HEIGHT			
6 GALLON	16"	12.5"		6 GALLON	25 lbs
10 GALLON	16"	15.5"		10 GALLON	32 lbs



CRITICAL INSTALLATION WARNINGS

- Install in recreation vehicles only. RV's are recreation vehicles designed as temporary living quarters for recreation, camping, or travel use having their own power or towed by another vehicle.
- All combustion air must be supplied from outside the RV, and all products of combustion must be vented to outside the RV.
- DO NOT vent water heater with venting system serving another appliance.
- DO NOT vent water heater to an outside enclosed porch area.
- Protect building materials from flue gas exhaust.
- Install water heater on an exterior wall, with access door opening to outdoors.
- DO NOT modify water heater in any way.
- DO NOT alter water heater for a positive grounding system.
- DO NOT HI-POT water heater unless electronic ignition system (circuit board) has been disconnected (DC Hi-Pot).
- DO NOT use battery charger to supply power to water heater even when testing.

USA AND CANADA - FOLLOW ALL APPLICABLE STATE AND LOCAL CODES -

IN THE ABSENCE OF LOCAL CODES OR REGULATIONS, REFER TO CURRENT STANDARDS OF:

- Recreation Vehicles ANSI A119.2/NFPA 501C.
- National Fuel Gas Code ANSI Z223.1 and/or CAN/CGA B149 Installation Codes
- Federal Mobile Home Construction & Safety Standard, Title 24 CFR, part 3280, or when this Standard is not applicable, the Standard for Manufactured Home Installations (Manufactured Home Sites, Communities and Set-Ups), ANSI A255.1 and/or CAN/CSA-Z240 MH Series, Mobile Homes.
- National Electrical Code ANSI/NFPA No. 70 and/or CSA C22.1
- Park Trailers A119.5
- CSA standard Z240 RV Series, Recreational Vehicle.

GENERAL INSTALLATION

This is a common installation for water heaters. There are other approved methods such as Baggage Compartment (MPD 90093) and Flush Mount (MPD 93948) installations. Consult with your Field Auditor, Account Manager, or the Dometic Service Department if you have additional questions.

1. Locate water heater on floor of coach before erecting side walls.
The water heater tank must be permanently supported at the same level as the bottom of sidewall cutout (by the floor or a raised floor) FIG 2. Provide adequate clearance at rear of unit for service of water connections.
2. To install water heater on carpeting, you must install appliance on a metal or wood panel that extends at least three inches beyond the full width and depth of appliance.
3. If the appliance is installed where connection or tank leakage will damage adjacent area, install a drain pan (which can be drained to out side of coach) under water heater.

WIRING

All wiring must comply with applicable electrical codes.

COMBINATION GAS/ELECTRIC MODELS are designed to operate with gas, electricity, or a combination of both.

- Use electrical metallic tubing, flexible metal conduit, metal clad cable, or nonmetallic-sheathed cable with grounding conductor. Wire must have a capacity of 1400 watts or greater. The wiring method must conform to applicable sections of article 551 of National Electrical Code ANSI/NFPA 70.
1. Refer to **Wiring Diagram** (FIG 12). Make 120 VAC electrical connections from junction box on back of unit.
 - a. Connect hot lead to (1) Black.
 - b. Connect common lead to (2) White.
 - c. Connect ground wire from electrical service to (3) green ground lead in junction box 3.



CAUTION PRODUCT DAMAGE

- When using Romex® with a bare earth ground, take care to position ground wire so it does not contact the heating element terminals.

- When a cord and plug connection to the power supply are used on water heater, power cord must be UL listed as suitable for damp locations, hard or extra hard usage. It must be a flexible cord such as type S, SO, ST, STO, SJ, SJT, SJTO, HS or HSO cord as described in National Electrical Code, ANSI/NFPA 70. The length of external cord to water heater, measured to face of attachment plug, shall be no less than 2 feet nor more than 6 feet. Supply cord must be a minimum of 14 AWG and attachment plug must be rated at 15 amps.



CAUTION ELECTRICAL DAMAGE

- Label all wires before disconnecting when servicing controls.
- Verify proper operation after servicing.

ELECTRONIC IGNITION

NOTE: It is recommended unit be connected directly to a 12V DC battery or to filtered side of an AC/DC converter. Avoid connections to unfiltered side of an AC/DC converter whenever possible. Use a minimum of 18 gauge wire, UL and CSA listed.

1. Refer to **Wiring Diagram** (FIG 12). Install remote switch in a convenient location. Position wall plate with letters up. Before making connections turn switch **OFF**.
2. Install wires see FIG 10 & 11.

PILOT RELIGHT - FIG 12

1. Install unit according to **GENERAL INSTALLATION** instructions.
2. Refer to **Wiring Diagram**. Use 18 gauge wire, UL/CSA listed.
3. Read **PILOT & PILOT RELIGHT OPERATIONS**.

HEAT EXCHANGE MODELS - FIG 5

1. Push a 5/8" diameter coolant system hose (5-A) [with SAE 053 A Type "E" clamp attached] onto heat exchanger tube (5-B) making a tight connection.
2. Spread hose clamp and slide toward heat exchange unit past annular groove (5-C) and release.
3. Continue to **HOW TO OPERATE YOUR WATER HEATER** and/or **Electronic Ignition OPERATION**.

CONTINUE GENERAL INSTALLATION

4. Connect both 1/2" NPT water lines (FIG 2) hot water outlet female and cold water inlet female and 3/8" flared LP gas line to the water heater (FIG 9).
 - a. Allow flexibility in water and gas lines so you can pull unit forward through wall one inch past skin.
 - b. Seal gas line entrance opening (FIG 9) by sliding grommet (9-B) onto 3/8" tubing (9-D) before flaring tubing (9-E). Pull gas line and grommet through opening in housing (9-A). Connect flare fitting (9-C) and press grommet into opening. If gas line tubing is already flared, cut grommet on one side. Place split grommet over gas line and press it into opening.
 - c. Always use pipe lubricant on threads when connecting hot and cold water couplings. A suitable plastic fitting is recommended.



CAUTION PRODUCT DAMAGE

- Do not lift, pull, push or misalign main burner tube (FIG 3-F).

5. Erect side walls and cut opening. See chart and FIG 1. Frame with 2x2 lumber (or equivalent).

CUTOUT (FIG 1 & 2)

CAPACITY	CUT OUT DIMENSION		DEPTH
Gallon	1-A	1-B	2-C
4 - 6	12-5/8"	16-1/4"	17-5/8"
10	15-3/4"	16-1/4"	20-5/8"
MINIMUM CLEARANCE FROM COMBUSTIBLE CONSTRUCTION			
Sides:	0"	Top:	0"
Back:	0"	Bottom:	0"

6. Bend all flanges 90° along scored lines (FIG 3-A).
7. To prevent water leaks caulk thoroughly around opening, including bend slots. Butyl Tape (1-1/3"x1/8") may be substituted for caulking material.

CONSUMER SAFETY WARNINGS

8. Push unit against caulking, secure 4-corner brackets (FIG 3-B) to coach with No. 8 - 3/4" round head screws (not furnished) or equivalent. Complete the installation by inserting the same type of #8 screws in the holes provided around the flange of the water heater housing. **Check all gaskets, they must adhere to the pan creating an air tight seal.**
 9. Attach access door.
 - a. Snap hinge pin (FIG 3-C) into clip (FIG 3-D).
 - b. Slide cover (FIG 3-E) onto hinge pin.
 - c. Slide hinge pin into cover, snapping into clip at same time (FIG 3-D).
- NOTE: To remove hinge pin, support access cover and apply force to corner of hinge pin.
10. Disconnect unit and its individual shut-off valve from gas supply line during any pressure testing of system in excess of 1/2 PSIG (3.4 kPa, 14" water column [W.C.]). DO NOT set inlet pressure higher than maximum indicated on rating plate of gas valve (13" W.C.). Isolate unit from gas supply line by closing its individual manual shutoff valve during any pressure testing \leq 1/2 psig.

WARNING **FIRE AND/OR EXPLOSION**

- DO NOT use matches, candles or other sources of ignition when checking for gas leaks.

11. Turn on gas and check water heater and all connections for gas leaks with leak detecting solution.
12. Fill water heater tank, check all connections for water leaks.

PRESSURE-TEMPERATURE RELIEF VALVE

WARNING **EXPLOSION**

- Valve is not serviceable, it must be replaced.
- Tampering with valve will result in scalding injury.
- Tampering with valve will void warranty.
- DO NOT place a valve, plug or reducing coupling on outlet part of relief valve.

THIS VALVE IS A SAFETY COMPONENT AND MUST NOT BE REMOVED FOR ANY REASON OTHER THAN REPLACEMENT. This water heater is equipped with a temperature and pressure relief valve (FIG 3-G) that complies with standard for Relief Valves and Automatic Gas Shutoff Devices for Hot Water Systems, ANSI Z21.22.

If you use a discharge line, do not use a reducing coupling or other restriction smaller than outlet of relief valve. Allow complete drainage of both valve and line.

FOR REPLACEMENT PARTS:

- DO NOT install anything less than a combination temperature-pressure relief valve certified by a nationally recognized testing laboratory that maintains periodic inspection of product of listed equipment or materials, as meeting requirements for Relief Valves and Automatic Gas Shutoff Devices for Hot Water Supply Systems, ANSI Z21.22. Valve must have a maximum set pressure not to exceed 150 psi.
- Install valve into opening provided and marked for this purpose on water heater.
- Installation must conform with local codes or in the absence of local codes, American National Standard for Recreational Vehicles, ANSI A119.2/NFPA 501C.
- For an external electrical source, ground this unit in accordance with National Electrical Code ANSI/NFPA70.

Your Dometic **PILOT GAS WATER HEATER** is now ready for operation.

Continue to **HOW TO OPERATE YOUR WATER HEATER**

WARNING **EXPLOSION OR FIRE**

- DO NOT store or use gasoline or other flammable vapors and liquids in the vicinity of this or any other appliance.
- Should overheating occur, or gas supply fail to shut off, turn **OFF** manual gas control valve to appliance, or turn gas **OFF** at the LP tank. On **ELECTRONIC IGNITION MODEL** turn operating switch to **OFF** position and remove red wire from left hand terminal of ECO switch or turn gas **OFF** at the LP tank.
- Use with LP gas only.
- Shut off gas appliances and pilot lights when refueling.
- On **PILOT RELIGHT MODELS**, turn off the ignition module when refueling gasoline tanks or LP tanks.
- Turn gas **OFF** at the LP tank when vehicle is in motion. This disables all gas appliances and pilot lights. Gas appliances must never be operated while vehicle is in motion. Unpredictable wind currents may be created which could cause flame reversal in the burner tube, which could result in fire damage. The thermal cut off fuse could also be unnecessarily activated resulting in a complete shutdown of the water heater requiring replacement of the thermal cut off. See maintenance of electronic ignition water heaters for further explanation of the thermal cut off.
- LP tanks must be filled by a qualified gas supplier only.

HOW TO OPERATE YOUR WATER HEATER

CAUTION **FIRE**

- Do not smoke or have any flame near an open faucet.

If water heater has not been used for more than two weeks, hydrogen gas may form in water line. Under these conditions to reduce the risk of injury, open hot water faucet for several minutes at kitchen sink before you use any electrical appliance connected to hot water system.

If hydrogen gas is present, you will probably hear sounds like air escaping through the pipe as water begins to flow.

WARNING **SCALDING INJURY**

- Do not tamper with pilot orifice.

CAUTION **PRODUCT FAILURE**

- Do not operate without water in tank.

PILOT OPERATION

1. Water heater may be equipped with a White Rodgers® or Robertshaw Unitrol® Control FIG 7.
2. Turn gas control valve knob (FIG 7-B) to **OFF** position.
3. Wait at least five minutes to allow accumulated gas in burner compartment to escape.

FOR WHITE RODGERS® CONTROL (FIG 7)

- a. Turn lighting control knob (7-B) to **PILOT** position and hold against stop while lighting pilot burner.
- b. Allow pilot to burn thirty seconds then release lighting control knob.
- c. Turn lighting control knob (7-B) to **ON** position.
- d. If pilot does not remain lit, repeat operation allowing longer period before releasing lighting control knob.
- e. Set temperature selection lever (7-A) at mark between warm and hot position.
- f. Close access door.

FOR A ROBERTSHAW UNITROL® (FIG 7)

- a. Turn lighting control dial (7-B) to **PILOT** position.
 - b. Depress and hold reset push button (7-A) while lighting pilot burner (7-C).
 - c. Allow pilot to burn thirty seconds before releasing reset push button.
 - d. If pilot does not remain lit, repeat operation allowing longer period before releasing reset push button.
 - e. Turn lighting control dial (7-B) to **ON** position.
 - f. Set temperature control dial (7-C) at mid-point position between warm and hot.
 - g. Close access door.
4. For complete shut down and before servicing, turn gas control knob (FIG 7-B) to **OFF** position. When water heater is not in use set temperature control lever (White Rogers®) or dial (Robertshaw®) to lowest possible position.

WARNING **SCALDING INJURY**

- Setting temperature control dial at a higher position will produce excessively hot water.

The temperature knob or lever is factory adjusted to its lowest dial setting. We recommended the mid-point position between warm and hot, as noted above. This will provide for energy efficient operation and sufficient hot water. Valves for reducing point of use temperature by mixing cold and hot water are available. Consult a licensed plumber or local plumbing authority.

5. To Adjust Main Burner (FIG 4):
1. Loosen air shutter screw (4-A).
 2. Slide air shutter (4-B) to right until some yellow appears in main burner flame.
 3. Move air shutter (4-B) to left until yellow disappears.
 4. Retighten air shutter screw (4-A).

Read **MAINTENANCE AND CARE INSTRUCTIONS**

ELECTRONIC IGNITION OPERATION

1. Refer to **WIRING DIAGRAM** FIG 12. Place remote switch in **ON** position.
2. If remote switch light stays on longer than 15 seconds, place remote switch in **OFF** position and wait 5 minutes.
3. Repeat step one.
4. For complete shut-down and before servicing:
 - a. Place remote switch in **OFF** position.
 - b. Remove red wire from left hand terminal of ECO switch (ECO to valve).
5. If heater fails to operate due to high water temperature, a lockout condition occurs (indicator light on). After water cools, reset switch in **OFF** position for at least 30 seconds, then turn to **ON** position.

6. If a lockout condition persists contact an Dometic Service Center. Read **MAINTENANCE AND CARE INSTRUCTIONS & ELECTRONIC IGNITION MAINTENANCE**

PILOT RELIGHT OPERATION

1. Turn the switch located on the spark module to the **ON** position.
2. Read **PILOT OPERATION** instructions.
3. For complete shut down, turn lighting control knob on thermostat and spark module switch to the **OFF** position.

Read **MAINTENANCE AND CARE INSTRUCTIONS**

GAS/ELECTRIC COMBINATION FUNCTION

GAS OPERATION. When the gas switch is turned on, the unit will make three attempts to light. If for any reason there is no ignition, the unit will lockout and the red lockout lamp will illuminate. If the thermostat fails, the ECO will also lockout the unit, requiring resetting. Determine the reason for no ignition, correct it, and reset the gas ignition sequence by turning the switch off, then on.

ELECTRIC OPERATION. When the electric switch is turned on, the relay at the rear of the unit will close and pass 110vac to the element. If the thermostat were to fail, the ECO will open and lockout the system. To correct, check the thermostat to assure good contact with the tank and reset the control by turning the electric switch off, then on.

GAS/ELECTRIC OPERATION. The unit can be run in both gas and electric modes simultaneously for quick recovery. note: if the gas fails to ignite, the gas mode will lockout, but the lockout lamp will not illuminate since the electric mode is still operational. Should you notice slow recovery, indicating the gas is not working, turn the electric switch off. The lamp will then illuminate indicating a lockout has occurred on the gas side. Correct the problem and turn the switches back on.

Read **MAINTENANCE AND CARE INSTRUCTIONS.**

MAINTENANCE AND CARE INSTRUCTIONS

SERVICE CALLS & QUESTIONS

Location and phone numbers of qualified Service Centers can be found at our website <http://www.edometic.com> or call 1-866-869-3118 to have a Service Center List mailed.

WARNING **FIRE OR EXPLOSION**

- Shut off gas supply at LP container before disconnecting a gas line.
- Keep control compartment clean and free of gasoline, combustible material, and flammable liquids and vapors.

AFTERMARKET WATER HEATING ELEMENT DEVICES

WARNING **EXPLOSION / BURN INJURY**

- DO NOT alter water heater, it will void warranty.
- DO NOT USE Aftermarket heating elements, they can lack critical safety controls.
- Use of Aftermarket heating elements can lead to an out of control heating of water tank and a catastrophic wet side explosion.

The use of any aftermarket heating element devices may also result in damage to components or water heater. Dometic's written warranty states - "failure or damage resulting from any alteration to our water heater is the owner's responsibility". Any alteration, like the addition of an aftermarket heating element device, will void the warranty.

GENERAL INFORMATION

- LP and Water system must be turned on.
- Have gas pressure tested periodically. Should be set at 11 inches of water column with three appliances running.
- Drain water heater at regular intervals (at least one time during the year).
- Drain water heater before storing RV for the winter or when the possibility of freezing exists.
- Keep vent and combustion air grill clear of any obstructions.
- Periodically, compare flame of main and pilot burners with FIG 5 and main burner adjustments in **HOW TO OPERATE YOUR WATER HEATER.**
- When water heater is not in use set temperature control lever (White Rogers) or dial (Robertshaw) to lowest possible position. This will reduce the effects of low outdoor temperatures on calibration of temperature control mechanism.

ELECTRONIC IGNITION MAINTENANCE

- The water heater comes factory-equipped with a fused circuit board, which will protect the circuit board from wiring shorts. If the fuse should activate, the water heater will not operate. Before replacing the fuse, check for a short external to the board. Once the short is corrected, replace the 2 amp fuse with a mini ATO style fuse. Do not install a fuse larger than 3 amps.
- If the fuse is good and the unit is inoperative, check for excessively high voltage to the unit (more than 14 volts).
- If the previous two steps did not solve the problem, check the thermal cut-off (FIG 3-l). The thermal cutoff is a device installed in the power supply line. This device will shut off electrical power and stop heater operation when activated. For example, if an obstruction within the flue tube should occur, as described in the Preventative Maintenance section, the burner flame/heat may contact the cutoff, resulting in a melting of the fuse element incorporated in the thermal cutoff. In order to restore power and proper operation of the water heater, the obstruction must be removed and the thermal cutoff must be replaced.

PREVENTATIVE MAINTENANCE

Spiders, mud wasps, and other insects can build nests in the burner tube. This will cause poor combustion, delayed ignition or ignition outside combustion tube. Listen for a change in burner sounds or in flame appearance from a hard blue flame to a soft lazy flame or one that is very yellow. These are indications of an obstruction in burner tube (FIG 4-C). Inspect and clean on a regular basis.

- Remove air shutter screw (FIG 4-A) and slide air shutter (FIG 4-B) down burner tube.
- Run a flexible wire brush down burner tube (FIG 4-D) until it is visible at end of burner tube.
- Vacuum burner where it enters combustion tube.
- Return air shutter to original position and replace screw.
- The orifice, burner tube and shutter must be aligned so that the shutter is not binding on the air tube.

HOW TO CLEAN PILOT MODELS - FIG 6

- Check main burner orifice and pilot assembly for contamination (dirt, spider webs, etc.).
- Clean main burner tube with small brush.
- Main burner adjustment - open air shutter 1/4 way.
- Low pilot flame. Check for contamination - if clean have the pilot orifice replaced.

HOW TO CLEAN ELECTRONIC IGNITION MODEL

- Check main burner orifice.
- Clean and adjust main burner.
- Main burner and valve manifold must align with each other
- Check electrode for cracked porcelain (FIG 4-E).
- Check electrode for proper gap - 1/8" between electrode and ground.
- If module board functions intermittently, remove board and clean terminal block with pencil eraser (FIG 3-H).

WATER HEATER TANK CARE

WARNING **SCALDING INJURY**

- Turn off water heater and allow time for water to cool before removing drain plug to flush tank.

WINTERIZING (FLUSHING) INSTRUCTIONS

To insure the best performance of your water heater and add to the life of the tank, periodically drain and flush the water heater tank. Before long term storage or freezing weather drain and flush the tank.

- Turn off main water supply (the pump or water supply (the pump or water hook up source).
- Drain Water Heater Tank by removing the drain plug. If the water flows sporadically or trickles instead of a steady stream of water, we recommend the following action; first open the Pressure Temperature Relief Valve to allow air into the tank and secondly, take a small gauge wire or coat hanger and poke through the drain opening to eliminate any obstructions.
- After draining the tank, because of the placement of the Drain Plug, approximately two quarts of water will remain in the tank. This water contains most of the harmful corrosive particles. To remove these harmful corrosive particles flush the tank with either air or water. Whether using air or water pressure, it may be applied through the inlet or outlet on the rear of the tank or the Pressure Temperature Relief Valve. (If using the Pressure Temperature Relief Valve the Support Flange must be removed). The pressure will force out the remaining water and the corrosive particles.

If you use water pressure, pump fresh water into the tank with the assistance of the on-board pump or use external water for 90 seconds to allow the fresh water to agitate the stagnant water on the bottom of the tank and force deposits through the drain opening. Continue repeating adding water and draining until the particles have been cleared from the water remaining in the tank.

- Replace the Drain Plug and close the Pressure Temperature Relief Valve. The approximately two quarts of water remaining in the tank after draining will not cause damage to the tank should freezing occur.

PRESSURE-TEMPERATURE RELIEF VALVE

WARNING **EXPLOSION**

- Do not place a valve, plug or reducing coupling on outlet part of pressure-temperature relief valve.

A Pressure Temperature Relief Valve, dripping while the water heater is running, DOES NOT mean it is defective. During normal expansion of water, as it is heated in the closed water system of a recreation vehicle, the Pressure Temperature Relief Valve will sometimes drip. The Dometic water heater tank is designed with an internal air gap at the top of the tank to reduce the possibility of dripping. In time, the expanding water will absorb this air and it must be restored. Due to variations in water quality, the Pressure Temperature Relief Valve may have a shorter life and may need replacement within the water heater warranty period. If corrosion is detected, it will not be covered under warranty.

WARNING **SCALDING INJURY**

- Turn off water heater before opening pressure-temperature relief valve to establish air space. Storage water must be cool.

TO REPLACE THE AIR GAP FOLLOW THESE STEPS:

- Turn off main water supply (the pump or water hook up source).
 - Let water cool or let run until cool.
 - Open the hot water faucet closest to the water heater.
 - Pull handle of pressure temperature relief valve straight out and allow water to flow until it stops.
 - Allow pressure temperature relief valve to snap shut; close faucet; turn on water supply.
 - Turn on water heater and test.
 - At least once a year manually operate pressure-temperature relief valve (FIG 10).
- When pressure-temperature relief valve discharges again, repeat above procedure. For a permanent solution, we recommend one of the following:
- Install a pressure relief valve in cold water inlet line to water heater and attach a drain line from valve to outside of coach. Set to relieve at 100-125 PSI.
 - Install a diaphragm-type expansion tank in cold water inlet line. Tank should be sized to allow for expansion of approximately 15 oz. of water and pre-charged to a pressure equal to water supply pressure. These devices can be obtained from a plumbing contractor or service center.

FLUSHING TO REMOVE UNPLEASANT ODOR

A rotten egg odor (hydrogen sulfide) may be produced when the electro galvanic action of the cladding material releases hydrogen from the water. If sulfur is present in the water supply the two will combine and produce an unpleasant smell.

- Turn off main water supply. Drain the water heater tank and reinstall drain plug. Remove the pressure-temperature relief valve. Mix solution of 4 parts white vinegar to two parts water. With a funnel, carefully pour solution into tank.
- Cycle water heater with the above solution, letting it run under normal operation 4-5 times.
- Remove the drain plug and thoroughly drain all water from the tank. Flush the water heater to remove any sediment. You may flush the tank with air pressure or fresh water. pressure may be applied through either the inlet or outlet valves on the rear of the tank or through the pressure-temperature relief valve coupling located on the front of the unit.

TO FLUSH TANK WITH AIR PRESSURE:

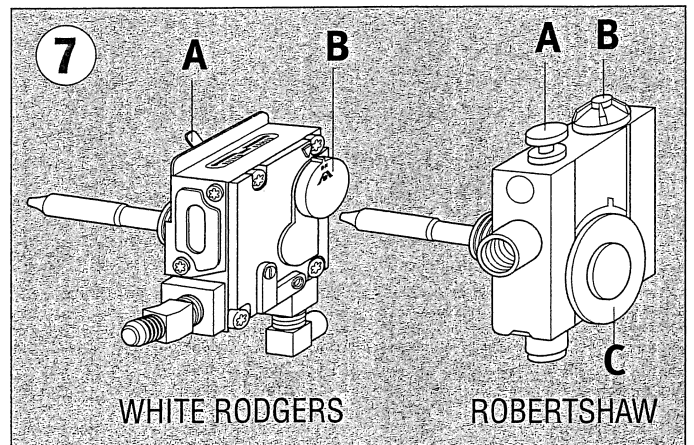
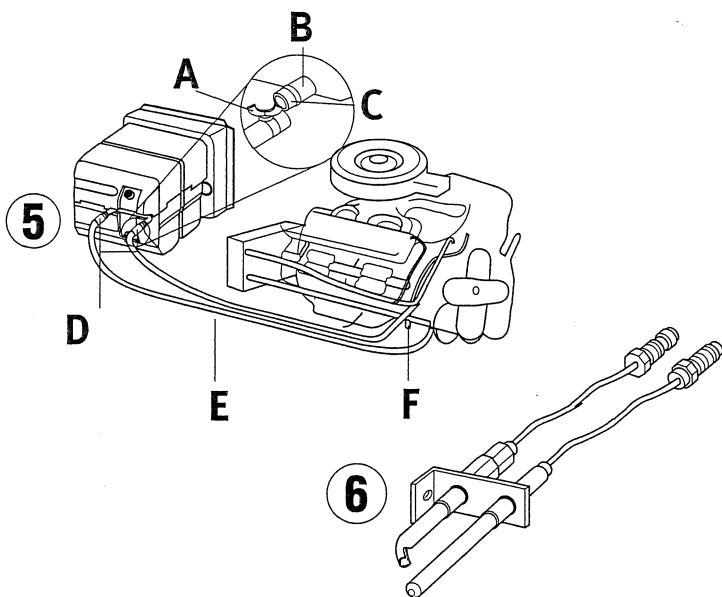
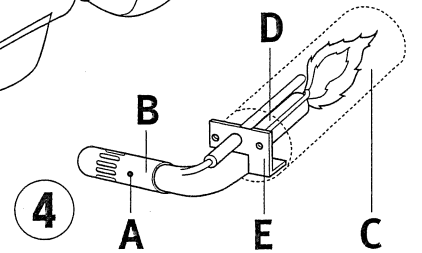
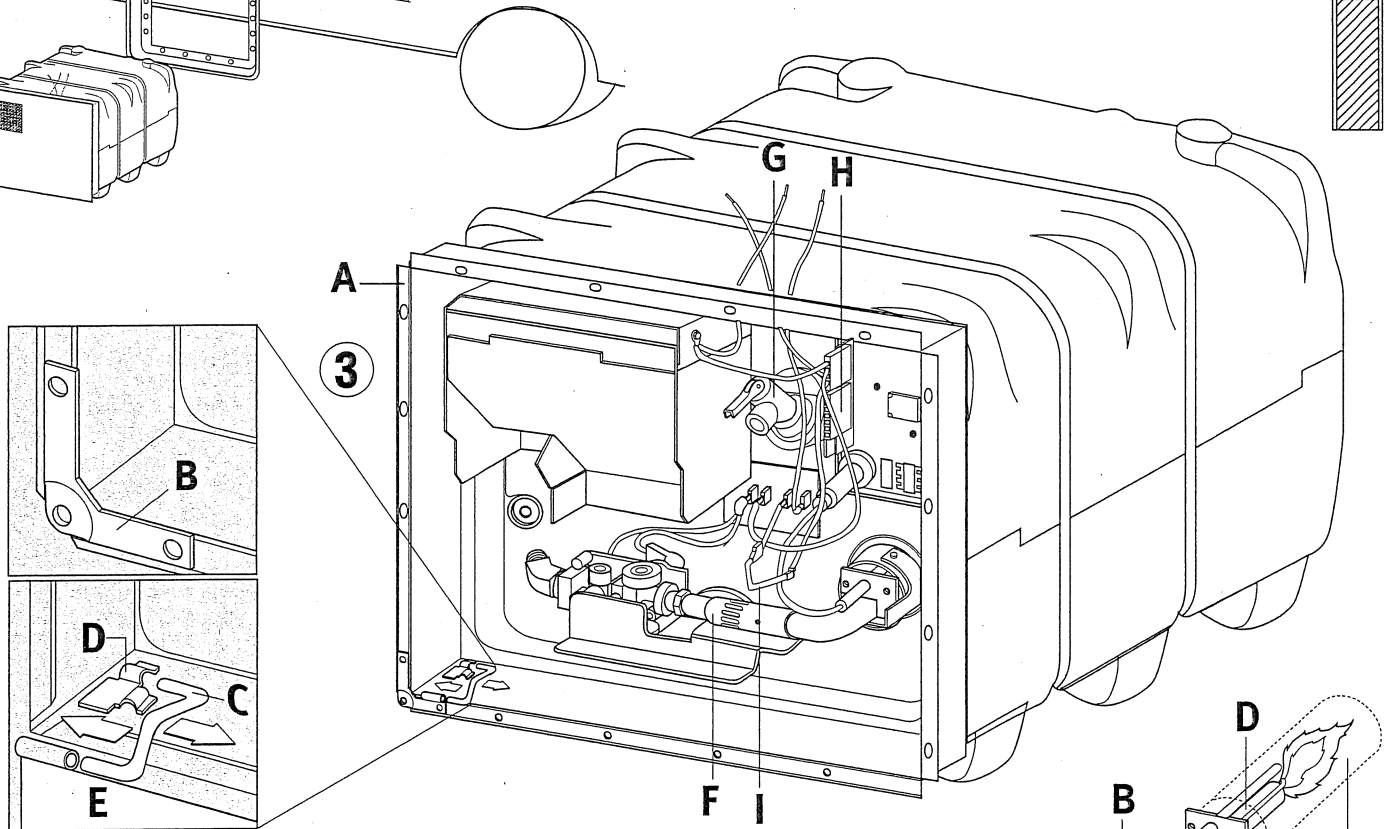
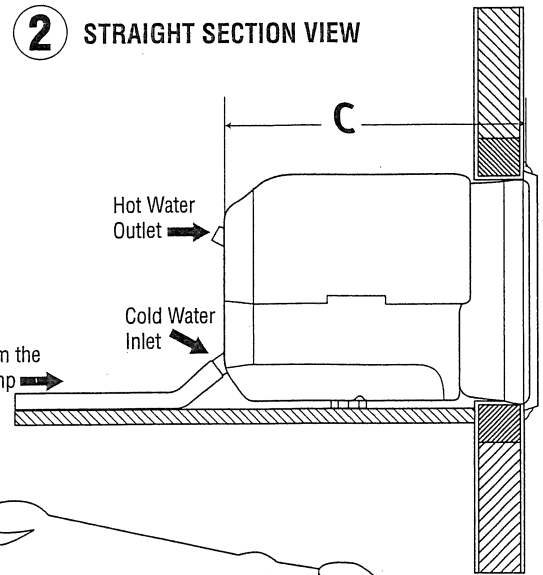
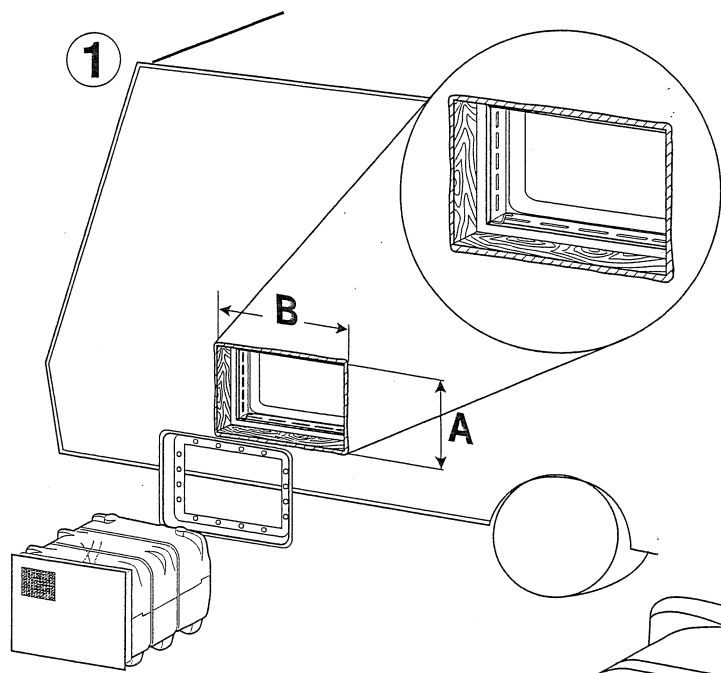
Insert your air pressure through the pressure-temperature relief valve coupling. With the drain valve open, the air pressure will force the remaining water out of the unit.

To flush tank with water pressure:

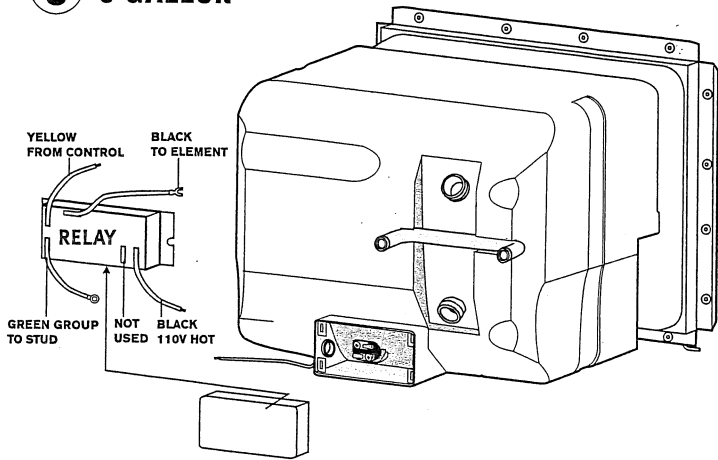
Fresh water should be pumped into the tank with either the onboard pump or external water pressure. Continue this flushing process for approximately 5 minutes, allowing the fresh water to agitate the stagnant water on the bottom of the tank and forcing the deposits through the drain opening.

- Replace drain plug and pressure-temperature relief valve.
- Refill tank with fresh water that contains no sulphur.

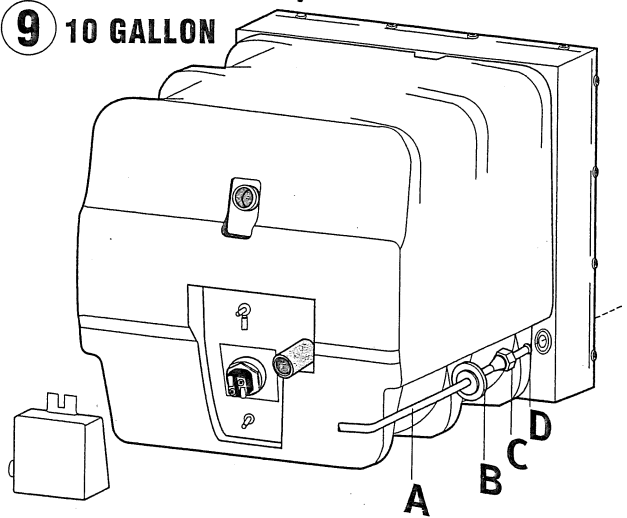
The Dometic water heater is designed for use in a recreation vehicle. If you use your vehicle frequently or for long periods of time, flushing the water heater several times a year will prolong the life of the storage tank.



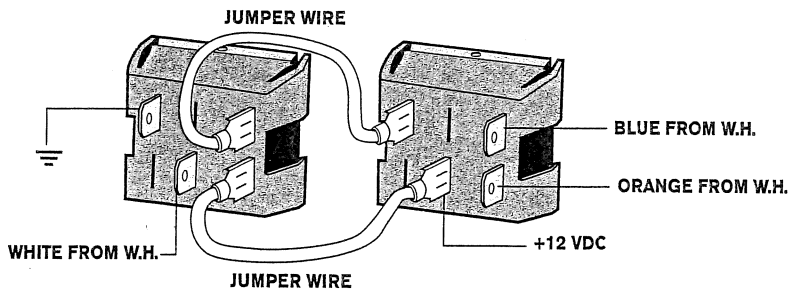
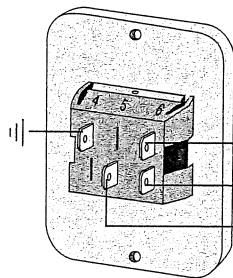
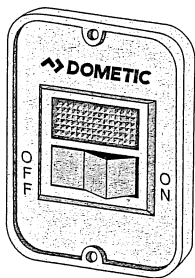
8 6 GALLON



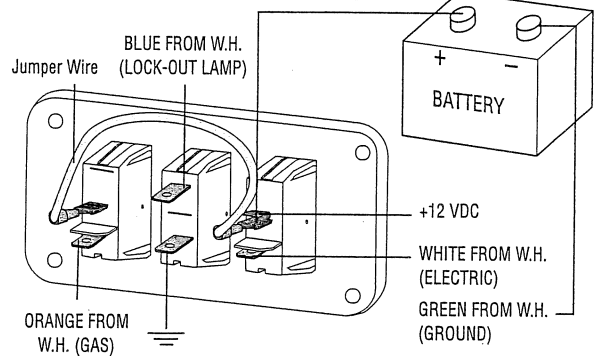
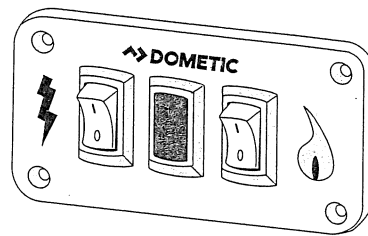
9 10 GALLON



10 SINGLE SWITCH



11 DUAL SWITCH

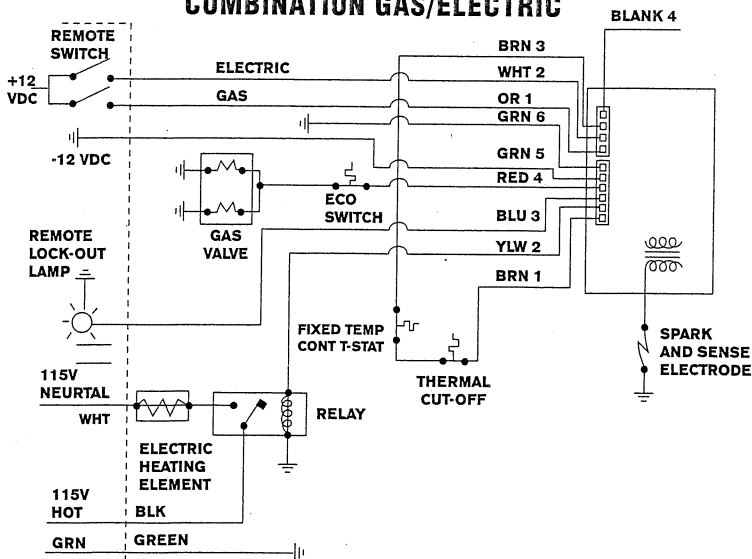


Dotted lines are wired by customer

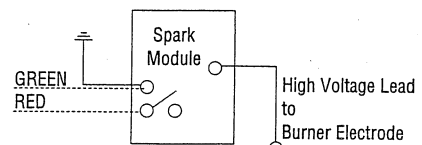
12 WIRING DIAGRAMS

Dotted lines are wired by customer

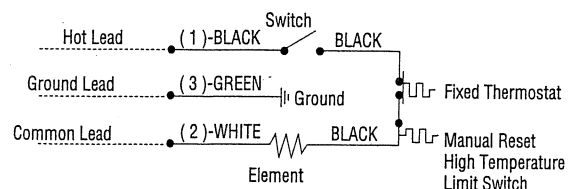
COMBINATION GAS/ELECTRIC



PILOT RELIGHT



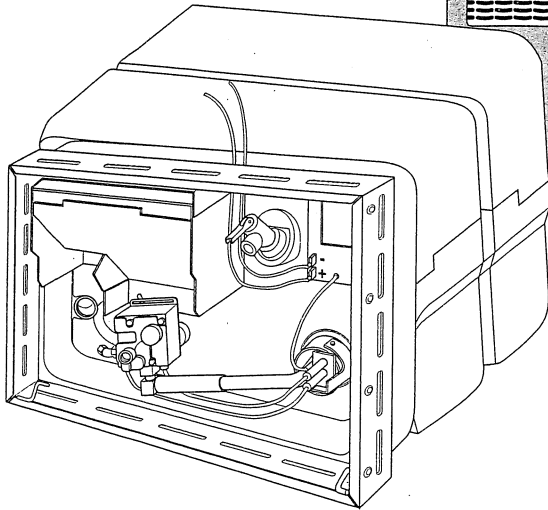
110V ELECTRIC/GAS PILOT ONLY



PART IDENTIFICATION / IDENTIFICATION DES PIÈCES

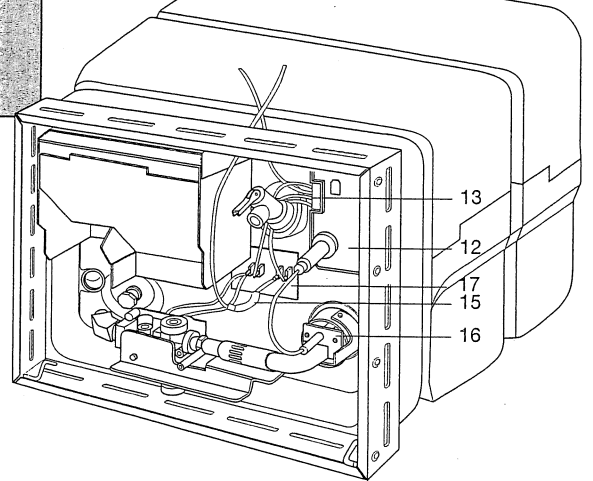
PILOT IGNITION / PILOT RELIGHT

ALLUMAGE DE VEILLEUSE /
RALLUMAGE DE VEILLEUSE



SPARK IGNITION / HEAT EXCHANGE

ALLUMAGE PAR ÉTINCELLES /
ÉCHANGE DE CHALEUR GAZ-
COMBINATION GAS/ELECTRIC
GAZ-ÉLECTRICITÉ COMBINÉS



FOR IDENTIFICATION AND REPAIR PARTS GO TO:

WWW.EDOMETIC.COM

**CHOOSE WATER HEATER CATEGORY
THEN SELECT THE STYLE OF WATER HEATER**

USE MODEL NUMBER LOCATED ON UNIT TO FIND REPLACEMENT PARTS



ENGLISH, FRANCAIS (et Canada)

•Installation •Fonctionnement •Entretien

En vigueur à partir du 04.03.17

La conception de ce chauffe-eau a été homologuée par l'Association canadienne de normalisation pour installation à l'intérieur de véhicules de plaisance. **Ce chauffe-eau n'a pas été conçu pour usage sur bateaux.**

APPELS ET QUESTIONS D'ENTRETIEN

Les adresses et les numéros de téléphone des centres de service agréés se trouvent sur notre site Internet à <http://www.edometric.com> ou composer le 1-866-869-3118 pour recevoir la liste par courrier.

CHAUFFE-EAU IDENTIFICATION DU MODÈLE9
DIMENSIONS9
POIDS9

INFORMATIONS SUR LA SÉCURITÉ9-10

INSTALLATION GENERAL DU CHAUFFE-EAU10-11
 Câblage
 Tableau de découpe
 Clapet de sécurité de type pression-température

Consignes de sécurité destinées au consommateur11
 Comment utiliser votre chauffe-eau11-12
 Instructions pour l'entretien12
 Entretien préventif13
 Instructions pour l'hivernage (rinçage)13
 Clapet de sécurité de type pression-température13
 Rinçage pour éliminer les mauvaises odeurs.....14

FIGURES 1 À 126-7

IDENTIFICATION DES PIÈCES.....8
 Garantie **DU CHAUFFE-EAU**16

SYMBOLES D'ALERTE DE SÉCURITÉ

Les symboles d'alerte de sécurité vous avertissent des dangers personnels potentiels. Obéir à tous les messages de sécurité qui suivent ces symboles.



AVERTISSEMENT

évitte les blessures corporelles ou les accidents mortels



ATTENTION

évitte les blessures corporelles et/ou les dommages matériels

L'installation et l'entretien doivent être effectués par un technicien de service qualifié, par un centre d'entretien ou un fournisseur en gaz.



AVERTISSEMENT

INCENDIE OU EXPLOSION

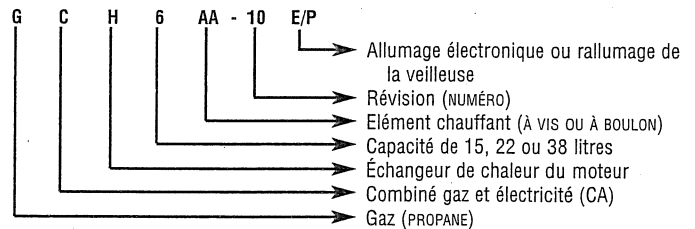
• **Ne pas suivre à la lettre les instructions contenues dans ce manuel risque d'entraîner un incendie ou une explosion et des dégâts matériels, des blessures voire la perte de vie humaine.**

➤ Ne pas entreposer ni utiliser de carburant ou autres liquides et vapeurs inflammables à proximité de cet appareil ou de tout autre appareil.

QUE FAIRE SI VOUS SENTEZ DU GAZ ?

- Evacuer TOUS les passagers du véhicule.
- Couper l'alimentation en gaz au niveau du réservoir ou à la source.
- NE toucher AUCUN interrupteur électrique, n'utiliser ni le téléphone, ni la radio à l'intérieur du véhicule.
- NE PAS démarrer le véhicule ou le générateur électrique.
- Contacter le fournisseur en gaz ou le technicien d'entretien qualifié le plus proche pour effectuer toute réparation.
- S'il est impossible de joindre un fournisseur en gaz ou un technicien d'entretien qualifié, contacter la caserne de pompiers la plus proche.
- NE PAS ouvrir l'alimentation en gaz avant que la ou les fuites soient réparées

EXPLICATION DU NUMÉRO DE MODÈLE (EXEMPLE)



- SI VOTRE NUMÉRO DE MODÈLE N'APPARAÎT PAS SUR LA LISTE -
 Les numéros reflétant une révision pourront être le 3, 4, 6, 7, 8 ou 9
 (_ _ _ _ - X _)

Quel que soit votre numéro de révision, les présentes instructions sont généralement valables pour votre unité. Pour toute question, contacter votre distributeur, un centre de service Dometic ou le service à la clientèle Dometic.

EXPLICATION DU NUMÉRO DE MODÈLE				
TYPE	15 LITRES	22 LITRES		38 LITRES
Allumage de la veilleuse	G4-7	G6A-7 GC6AA-8	GC6AA-8P GH6-7	G10-2 G10-2P GC10A-2 GC10A-2P
Allumage électronique		G6A-8E GC6AA-10E	GCH6A-10E GH6-8E	G10-3E GCH10A-4E GC10A-3E GH10-3E
Rallumage de la veilleuse	P SUR LE MODÈLE - VOIR LES EXPLICATIONS CI-DESSUS			
Échange de chaleur	H SUR LE MODÈLE - VOIR LES EXPLICATIONS CI-DESSUS			
Allumage électronique	E SUR LE MODÈLE - VOIR LES EXPLICATIONS CI-DESSUS			
Combinaison gaz-électricité	C SUR LE MODÈLE - VOIR LES EXPLICATIONS CI-DESSUS			
DIMENSIONS				
TOUS MODÈLES	LARGEUR	HAUTEUR		POIDS A L'ENVOI
22 LITRES	40.64CM	31.75CM		22 LITRES 11,34 KG
38 LITRES	40.64CM	39.37CM		38 LITRES 14,5 KG



AVERTISSEMENTS IMPORTANTS POUR L'INSTALLATION

- Installer dans les véhicules de plaisance uniquement. Les véhicules de plaisance sont conçus comme résidences temporaires pour les vacances, le camping ou les voyages ; ils fonctionnent de façon autonome ou sont parfois remorqués par un autre véhicule.
- Tout l'air de combustion doit provenir de l'extérieur du véhicule de plaisance et tous les produits de la combustion doivent être évacués vers l'extérieur du véhicule de plaisance.
- NE PAS évacuer l'air du chauffe-eau par un système d'évacuation servant à un autre appareil.
- NE PAS évacuer le chauffe-eau vers un espace extérieur couvert.
- Protéger les matériaux de construction des gaz de carneau.
- Installer le chauffe-eau sur un mur extérieur, avec une trappe d'accès donnant vers l'extérieur.
- NE modifier le chauffe-eau en AUCUNE façon.
- NE PAS modifier le chauffe-eau pour une mise à la terre positive.
- NE PAS faire d'essai diélectrique du chauffe-eau sans avoir débranché l'allumage électronique (carte de circuit imprimé).
- NE PAS utiliser de chargeur de batterie pour alimenter le chauffe-eau, même lors des essais.

USA ET CANADA - SUIVRE LES CODES NATIONAUX ET LOCAUX EN VIGUEUR -

- À DÉFAUT DE CODES LOCAUX OU DE RÉGLEMENTATIONS, SE REPORTER AUX NORMES ACTUELLES DE :

- Véhicules de plaisance ANSI A119.2/NFPA 501C.
- Code national de carburant et de gaz ANSI Z223.1 et/ou codes d'installation CAN/CGA B149. Norme fédérale de sécurité et de construction de maisons mobiles, titre 24 CFR, partie 3280 ; lorsque cette norme n'est pas applicable, utiliser la norme d'installation de maisons préfabriquées (Manufactured Home Sites, Communities and Set-Ups), ANSI A255.1 et/ou la série CAN/CSA-Z240 MH, maisons mobiles.
- Code électrique national ANSI/NFPA No. 70 et/ou CSA C22.1
- Caravanes de parc A119.5
- Norme CSA de série Z240 RV, véhicules de plaisance.

INSTALLATION GÉNÉRALE

Cette méthode d'installation est l'une des plus répandue pour les chauffe-eau. Il existe d'autres méthodes homologuées telles que les installations de compartiment à bagages (MPD 90093) ou d'encastresments (MPD 93948). Consulter votre inspecteur sur le terrain, votre responsable de compte ou le service à la clientèle Atwood pour toute question supplémentaire.

1. Poser le chauffe-eau par terre, dans le véhicule, avant de construire les parois latérales. Le réservoir du chauffe-eau doit toujours être positionné au même niveau que le bas de la découpe de la paroi latérale (au sol ou sur un support surélevé) FIG 2. Laisser suffisamment d'espace à l'arrière de l'unité pour permettre les réparations des raccordements d'eau.
2. L'installation du chauffe-eau sur de la moquette doit se faire sur un panneau en métal ou en bois de trois pouces plus large et plus profond que la taille totale de l'appareil.
3. Si l'appareil est installé dans un lieu où le branchement et les fuites du réservoir risquent d'endommager les zones environnantes, installer sous le chauffe-eau un système d'écoulement donnant vers l'extérieur du véhicule.

CÂBLAGE

Tous les câblages doivent être conformes aux codes électriques en vigueur.

LES MODÈLES COMBINÉS GAZ-ÉLECTRICITÉ sont conçus pour fonctionner au gaz, à l'électricité ou aux deux.

- Utiliser un conduit électrique métallique, un conduit métallique souple, un câble à blindage métallique ou un câble blindé non-métallique avec fil de masse. Le fil doit avoir une capacité supérieure ou égale à 1400 watts. La méthode de câblage doit être conforme aux sections applicables de l'article 551 du Code électrique national ANSI/NFPA 70.
1. Consulter le **schéma électrique** (FIG 12). Effectuer les branchements de 120 VCA à partir du boîtier de dérivation situé au dos de l'appareil.
 - a. Brancher le fil de phase sur le noir (1).
 - b. Brancher le fil neutre sur le blanc (2).
 - c. Brancher le fil de masse de l'alimentation électrique sur le fil de masse vert (3) du boîtier de dérivation 3.



ATTENTION ENDOMMAGEMENT DU PRODUIT

- Lorsqu'on utilise Romex® avec une mise à la terre nue, faire attention de placer le fil de mise à la terre de manière à ce qu'il n'entre pas en contact avec les bornes de l'élément de chauffe.

- Lorsqu'on utilise une connexion avec fil et fiche pour alimenter le chauffe-eau, le fil doit être homologué UL et convenir aux lieux humides et aux usages intenses et super intenses. Le fil doit être souple, de type S, SO, ST, STO, SJ, SJT, SJTO, HS ou HSO, en conformité avec le Code électrique national, ANSI/NFPA 70. La longueur du fil externe menant au chauffe-eau ne doit pas dépasser 1,8 m et ne doit pas être inférieure à 0,6 m, lorsqu'elle est mesurée à partir de la fiche. Le calibre minimum du fil d'alimentation électrique doit être de 14 AWG et la fiche doit posséder une capacité nominale de 15 ampères.



ATTENTION ENDOMMAGEMENTS ÉLECTRIQUES

- Lors de la réparation des commandes, étiqueter tous les fils avant de les déconnecter.
- Après toute réparation, vérifier le bon fonctionnement de l'unité.

ALLUMAGE ÉLECTRONIQUE

REMARQUE : Il est recommandé de brancher l'unité directement sur une batterie de 12V CD ou en aval du filtre du convertisseur électrique CA-CD. Éviter à tout prix les branchements en amont du convertisseur CA-CD. Utiliser un fil d'un calibre minimal de 18, homologué UL et CSA.

1. Consulter le **schéma électrique** (FIG 12). Installer l'interrupteur de commande à distance dans un lieu accessible. Positionner la plaque murale, les lettres debout. Avant d'effectuer les branchements, mettre l'interrupteur en position d'arrêt (OFF).
2. Brancher les fils Cf. FIG 10 et 11.

RALLUMAGE DE LA VEILLEUSE - FIG 12

1. Installer l'unité selon les instructions d'INSTALLATION GÉNÉRALE.
2. Consulter le schéma électrique. Utiliser du fil de calibre 18, homologué UL/CSA.
3. Consulter **FONCTIONNEMENT DE LA VEILLEUSE** et **FONCTIONNEMENT DU RALLUMAGE DE LA VEILLEUSE**.

MODÈLES D'ÉCHANGE DE CHALEUR, - FIG 5

1. Pousser un tuyau de système de refroidissement d'un diamètre de 5/8" (5-A) [avec un collier SAE 053 A type « E »] sur le tube de l'échangeur de chaleur (5-B) et effectuer un raccordement serré.
2. Ouvrir le collier et le faire glisser vers l'échangeur de chaleur, au-delà de la rainure annulaire (5-C), puis relâcher.
3. Passer à **COMMENT UTILISER VOTRE CHAUFFE-EAU** et/ou **FONCTIONNEMENT DE L'ALLUMAGE ÉLECTRONIQUE**.

CONTINUER L'INSTALLATION GÉNÉRALE

4. Brancher les deux conduites d'eau de 1,27 cm NPT (FIG 2), sortie femelle d'eau chaude et entrée femelle d'eau froide, et la conduite de gaz PL évasée de 0,95 cm au chauffe-eau (FIG 9).
 - a. Permettre une flexibilité suffisante des conduites d'eau et de gaz, de façon à pouvoir tirer l'unité en avant par le mur à un pouce de l'enveloppe extérieure.
 - b. Étanchéiser le passage de la conduite de gaz (FIG 9) en glissant l'œillet (9-B) sur le tube de 9,5 mm (9-D) avant de l'évaser (9-E). Tirer la conduite de gaz et l'œillet par l'ouverture du logement (9-A). Brancher le raccord conique (9-C) et enfoncer l'œillet dans l'ouverture. Si la conduite de gaz est déjà évasée, couper l'œillet d'un côté. Placer l'œillet fendu sur la conduite de gaz et l'enfoncer dans l'ouverture.
 - c. Toujours appliquer du lubrifiant de tuyau sur le filet lorsqu'on raccorde les accouplements d'eau chaude et d'eau froide. Un raccord en plastique adapté est préconisé.



ATTENTION ENDOMMAGEMENT DU PRODUIT

- Ne pas soulever, tirer ou pousser sur le tube du brûleur principal (FIG 3-F).

5. Construire les parois latérales et découper l'ouverture. Cf. tableau et FIG 1. Utiliser des montants de 2x2 (ou équivalent) pour l'encadrement.

DÉCOUPE (FIG 1 ET 2)

CAPACITÉ	DIMENSION DE LA DÉCOUPE		PROFONDEUR
LITRES	1-A	1-B	2-C
15 - 22	32 cm	41 cm	44,75 cm
38	40 cm	42,5 cm	52,4 cm

DISTANCE MINIMALE PAR RAPPORT À TOUT MATÉRIAU DE CONSTRUCTION COMBUSTIBLE

Cotés : 0 cm	Haut : 0 cm
Arrière : 0 cm	Bas : 0 cm

- Suivre les marques et plier tous les rebords à 90° (FIG 3-A).
 - Pour éviter les fuites d'eau, appliquer du mastic tout autour de l'ouverture, y compris dans les fentes de pliage. Il est possible de substituer une bande adhésive de butyle au mastic (2,54 cm x 0,3 cm).
 - Pousser l'unité contre le mastic, fixer les 4 équerres de fixation (FIG 3-B) au véhicule à l'aide de vis à tête ronde No.8, de 1,9 cm (non-fournies) ou l'équivalent. Terminer l'installation en insérant le même type de vis No. 8 dans les orifices situés sur le bord du logement du chauffe-eau. Vérifier tous les joints, ils doivent adhérer à l'Organisation panaméricaine de la création d'un joint étanche.
 - Fixer la trappe d'accès.
 - Enfoncer l'axe de la charnière (FIG 3-C) dans le logement de la charnière (FIG 3-D).
 - Faire glisser le couvercle (FIG 3-E) sur l'axe de la charnière.
 - Glisser l'axe de la charnière dans le couvercle, tout en l'enfonçant dans le logement de la charnière (FIG 3-D).
- REMARQUE : Pour retirer l'axe de la charnière, soutenir le couvercle d'accès et appuyer sur le coin de l'axe de la charnière.
- Débrancher l'unité et son robinet d'arrêt individuel de la conduite d'alimentation en gaz lors de tout test de pression du système au-delà de 3,4 kPa, 356 mm de colonne d'eau (C.E.). NE PAS régler la pression d'arrivée au-delà du maximum indiqué sur la plaque signalétique du clapet à gaz (355 mm C.E.). Isoler l'unité de la conduite d'alimentation en gaz en fermant le robinet d'arrêt manuel individuel lors de tout test de pression supérieur ou égal à 3,4 kPa.

AVERTISSEMENT **INCENDIE ET/OU EXPLOSION**

- NE PAS utiliser d'allumettes, de bougies ou toute autre source d'allumage pour contrôler la présence éventuelle de fuites de gaz.

- Ouvrir l'alimentation en gaz et s'assurer que le chauffe-eau et les différents raccords de gaz ne comportent pas de fuites, à l'aide d'une solution de détection de fuites.
- Remplir le réservoir du chauffe-eau, vérifier que les différents raccords ne comportent pas de fuites d'eau.

SOUPAPE DE DÉCHARGE DE TYPE PRESSION-TEMPÉRATURE

AVERTISSEMENT **EXPLOSION**

- La soupape ne se prête pas aux réparations, elle devra être remplacée.
- Toucher à la soupape risque de provoquer des brûlures.
- Toucher à la soupape annulera la garantie.
- NE PAS placer de robinet, de bouchon ou de raccord de réduction sur la sortie de la soupape de décharge.

LA SOUPAPE EST UN ÉLÉMENT DE SÉCURITÉ ET NE DOIT PAS ÊTRE RETIRÉE SAUF EN CAS DE REMPLACEMENT. Ce chauffe-eau est équipé d'une soupape de décharge de type pression-température (FIG 3-G) en conformité avec les normes sur les soupapes de décharge et les mécanismes de coupure automatique de l'alimentation en gaz pour systèmes à eau chaude ANSI Z21.22.

En cas d'utilisation d'un tuyau d'écoulement, ne pas utiliser de raccord réducteur ou toute autre restriction qui soit inférieure en diamètre à la sortie de la soupape de décharge. Permettre à la soupape et à la conduite de s'écouler complètement.

PIÈCES DE RECHANGE :

- Installer AU MINIMUM une soupape de décharge combinée de type température-pression homologuée par un laboratoire de test reconnu au niveau national, qui inspecte régulièrement les produits d'équipement ou de matériaux concernés, selon les normes pour les soupapes de décharge et les mécanismes de coupure automatique de l'alimentation en gaz pour systèmes à eau chaude ANSI Z21.22. Le réglage de la pression de la soupape ne doit pas dépasser 1034 kPa.

- Installer la soupape dans l'ouverture prévue et marquée à cet effet sur le chauffe-eau.
- L'installation doit être conforme aux codes locaux ou, faute de codes locaux, à la norme américaine nationale pour véhicules de plaisance ANSI A119.2/NFPA 501C.
- En cas de source électrique externe, cet appareil doit être mis à la terre selon le Code électrique national ANSI/NFPA70.

Votre **CHAUFFE-EAU A GAZ Dometic A VEILLEUSE** est maintenant prêt à fonctionner. Passer à **COMMENT UTILISER VOTRE CHAUFFE-EAU**.

MISES EN GARDE DESTINÉES AU CONSOMMATEUR

AVERTISSEMENT **EXPLOSION OU INCENDIE**

- NE PAS entreposer ou utiliser de carburant ou tout autre liquide ou vapeurs inflammables à proximité de cet appareil ou de tout autre appareil.
- En cas de surchauffe ou si l'alimentation en gaz ne s'arrête pas convenablement, mettre le robinet d'alimentation en gaz de l'unité en position arrêt (**OFF**) ou fermer le gaz au niveau du réservoir de propane liquide. Sur le **MODÈLE À ALLUMAGE ÉLECTRONIQUE**, mettre l'interrupteur de commande en position arrêt (**OFF**) et retirer le fil rouge de la borne gauche de l'interrupteur ECO ou fermer le gaz au niveau du réservoir de propane liquide.
- Utiliser uniquement avec du gaz de propane liquide.
- Lors du ré-approvisionnement en carburant, éteindre les appareils à gaz et les veilleuses.
- Sur les **MODÈLES AVEC RALLUMAGE DE LA VEILLEUSE**, éteindre le module d'allumage lors du ré-approvisionnement en carburant dans les réservoirs à carburant ou à propane liquide.
- Éteindre le gaz au niveau du réservoir à propane liquide, lorsque le véhicule est en déplacement. Cela permet de désactiver tous les appareils et toutes les veilleuses. Les appareils à gaz ne doivent jamais fonctionner lorsque le véhicule se déplace. Des mouvements d'air imprévisibles risqueraient entraîner un retour de flamme dans le tube du brûleur, ce qui pourra causer des endommagements par le feu. Le fusible de coupure thermique pourra également être activé accidentellement et éteindre complètement le chauffe-eau. Le système de coupure thermique devra alors être remplacé. Consulter l'entretien des chauffe-eau à allumage électronique pour plus de détails sur la coupure thermique.
- Les réservoirs à propane liquide devront être remplis uniquement par un fournisseur en gaz qualifié.

COMMENT UTILISER VOTRE CHAUFFE-EAU

ATTENTION **INCENDIE**

- Ne pas fumer ou tenir de flamme à proximité d'un robinet ouvert.

Si le chauffe-eau n'a pas été utilisé pendant plus de deux semaines, il est possible que de l'hydrogène se soit formé dans la conduite d'eau. Dans ces conditions, avant d'utiliser tout appareil électrique branché sur le système d'eau chaude, faire couler l'eau du robinet d'eau chaude de l'évier de la cuisine pendant plusieurs minutes pour réduire le risque de blessures.

En cas de présence d'hydrogène dans les conduites, vous entendrez probablement l'air s'échapper du tuyau, lorsque l'eau commence à couler.

AVERTISSEMENT **BRÛLURES**

- Ne pas toucher l'orifice de la veilleuse.

ATTENTION **PANNE DE L'APPAREIL**

- Ne pas faire fonctionner sans eau dans le réservoir

L'utilisation d'éléments de chauffe provenant de fabricants de marché secondaire pourra également entraîner des endommagements des composants ou du chauffe-eau. La garantie écrite Dometic stipule que « la responsabilité d'un mauvais fonctionnement ou de dommages causés par une modification au chauffe-eau revient à l'acheteur ». Toute modification, telle que, par exemple, le rajout d'un élément de chauffe de marché secondaire, annule la garantie.

INFORMATIONS GÉNÉRALES

- Le système de propane liquide et le système à eau doivent être allumés.
- Faire tester la pression du gaz régulièrement. La pression doit être réglée à 279 mm de colonne d'eau, lorsque 3 appareils fonctionnent.
- Évacuer l'eau contenue dans le chauffe-eau à intervalles réguliers (au moins une fois par an).
- Évacuer l'eau contenue dans le chauffe-eau avant de garer votre véhicule de plaisance pour l'hiver ou lorsqu'il existe un risque de gel.
- S'assurer que l'évacuation et la grille d'air de combustion sont propres et ne comportent aucune obstruction.
- Comparer régulièrement la flamme du brûleur principal et les flammes des veilleuses à la FIG 5 et les réglages du brûleur principal avec la section **COMMENT UTILISER VOTRE CHAUFFE-EAU**.
- Lorsque vous n'utilisez pas le chauffe-eau, régler le levier (White Rogers) ou le cadran (Robertshaw) du thermostat à la position la plus basse possible. Cela réduira les effets de la température extérieure sur le calibrage du mécanisme de commande de la température.

ENTRETIEN DE L'ALLUMAGE ÉLECTRONIQUE

- A l'usine, votre chauffe-eau a été équipé d'une carte imprimée à fusible. Ce fusible protège la carte imprimée des courts-circuits pouvant survenir dans les câblages. Si le fusible venait à s'activer, le chauffe-eau ne pourrait pas fonctionner. Avant de remplacer le fusible, vérifier que le court-circuit n'est pas externe à la carte imprimée. Une fois le court-circuit réparé, remplacer le fusible de 2 ampères par un fusible mini de type ATO. Ne pas installer de fusible de plus de 3 ampères.
- Si le fusible est bon mais que l'unité ne fonctionne pas, vérifier que la tension du courant alimentant l'unité n'est pas trop élevé (plus de 14 volts).
- Si les deux étapes précédentes ne résolvent pas le problème, vérifier le système de coupure thermique (FIG 3-I). Le système de coupure thermique est installé dans le tuyau d'alimentation. Ce dispositif, une fois déclenché, coupe l'arrivée du courant électrique et le fonctionnement du chauffe-eau. Par exemple, en cas d'obstruction dans le tube d'évacuation, comme le décrit la section d'Entretien préventif, la flamme et la chaleur du brûleur risquent d'entrer en contact avec le système de coupure ce qui fera fondre l'élément du fusible incorporé dans le système de coupure thermique. Pour rétablir l'électricité et le bon fonctionnement du chauffe-eau, l'obstruction doit être éliminée et le système de coupure thermique doit être remplacé.

ENTRETIEN PRÉVENTIF

Araignées, guêpes et autres insectes font parfois leur nid dans le tube du brûleur. Cela risque de causer une mauvaise combustion, un retard dans l'allumage ou un allumage à l'extérieur du tube de combustion. Prêter attention à tout changement du son produit par le brûleur et de l'apparence de la flamme (molle, calme et jaune vif plutôt que drue et bleue). Cela indique que le tube du brûleur est obstrué (FIG 4-C).

Inspecter et nettoyer régulièrement.

- Retirer la vis de l'obturateur d'air (FIG 4-A) et glisser l'obturateur d'air (4-B) le long du tube du brûleur.
- Introduire une brosse métallique flexible à l'intérieur du tube du brûleur (FIG 4-D), jusqu'à ce qu'elle ressorte par l'autre extrémité du tube.
- Nettoyer le brûleur à l'aide d'un aspirateur, à l'endroit où il s'insère dans le tube de combustion.
- Remettre l'obturateur d'air dans sa position d'origine et replacer la vis.
- L'orifice du tube du brûleur, et l'obturateur n'est pas contraignant sur le tube d'air.

COMMENT NETTOYER LES MODÈLES À VEILLEUSE - FIG 6

- Vérifier que l'orifice du brûleur principal et l'assemblage de la veilleuse ne comportent aucune contamination (saleté, toiles d'araignées, etc.).
- Nettoyer le tube du brûleur principal avec une petite brosse.
- Réglage du brûleur principal – ouvrir l'obturateur d'air à un quart.
- Flamme de la veilleuse basse. Vérifier qu'il n'y ait pas de contamination – si elle est propre, remplacer l'orifice de la veilleuse.

COMMENT NETTOYER LES MODÈLES À ALLUMAGE ÉLECTRONIQUE

- Vérifier l'orifice du brûleur principal.
- Nettoyer et régler le brûleur principal.
- Le brûleur principal et les voies du clapet doivent être alignés.
- Vérifier que la porcelaine de l'électrode ne comporte pas de fissures (FIG 4-E).
- Vérifier que l'écart entre l'électrode et le sol est bien de 3,1 mm.
- Lorsque la carte des modules fonctionne en alternance, enlever la carte et nettoyer la plaque à bornes avec une gomme pour crayon (FIG 3-H).

ENTRETIEN DU RÉSERVOIR DU CHAUFFE-EAU



AVERTISSEMENT BRÛLURES

- Eteindre le chauffe-eau et attendre que l'eau refroidisse avant d'enlever l'évacuation vers le réservoir de rinçage.

INSTRUCTIONS POUR L'HIVERNAGE (RINÇAGE)

Pour assurer le meilleur rendement de votre chauffe-eau et prolonger la vie du réservoir, évacuer et rincer régulièrement le réservoir du chauffe-eau. Avant le rangement à long terme ou avant l'arrivée du gel, évacuer et rincer le réservoir.

- Couper l'alimentation principale en eau (la pompe ou la source d'apport en eau).
- Évacuer l'eau du réservoir du chauffe-eau en retirant le bouchon de vidange. Si l'eau coule de façon irrégulière ou goutte au lieu de couler à jet normal, nous vous conseillons tout d'abord d'ouvrir la soupape de décharge de type pression-température, pour permettre à l'air d'entrer dans le réservoir. Ensuite, à l'aide d'un fil de fer de petit diamètre ou d'un porte-manteau, piquer à l'intérieur de l'orifice d'évacuation, de façon à éliminer toute obstruction.
- Une fois le réservoir vide, étant donné l'emplacement du bouchon de vidange, il restera environ 2 litres d'eau dans le réservoir. Cette eau contient la plus grande partie des particules corrosives dangereuses. Pour retirer ces particules corrosives dangereuses, rincer le réservoir soit avec de l'air, soit avec de l'eau. Que vous utilisiez de l'air ou de l'eau sous pression, l'application peut se faire soit par l'entrée, soit par la sortie située à l'arrière du réservoir ou de la soupape de décharge de type pression-température. (En cas d'utilisation de la soupape de décharge de type pression-température, il faudra d'abord retirer le rebord de sécurité). La pression force l'eau et les particules corrosives restantes à s'évacuer.
En cas d'utilisation d'eau sous pression, pomper de l'eau fraîche dans le réservoir à l'aide d'une pompe transportée ou utiliser de l'eau externe pendant 90 secondes, de façon à permettre à l'eau fraîche de remuer l'eau stagnante se trouvant au fond du réservoir et de propulser les dépôts par l'orifice d'évacuation. Continuer à rajouter de l'eau et à évacuer, jusqu'à ce que l'eau restant dans le réservoir ne comporte plus aucune particule.
- Replacer le bouchon de vidange et fermer la soupape de décharge de type pression-température.

La quantité d'eau (environ 2 litres) restant au fond du réservoir suite à la vidange ne causera pas de dommage au réservoir en cas de gel.

SOUPAPE DE DÉCHARGE DE TYPE PRESSION-TEMPÉRATURE



AVERTISSEMENT EXPLOSION

- Ne pas placer de robinet, de bouchon ou de raccord de réduction sur la sortie de la soupape de décharge de type pression-température.

Lorsqu'une soupape de décharge de type pression-température goutte pendant le fonctionnement du chauffe-eau, cela ne signifie pas qu'elle est défectueuse. La soupape de décharge goutte parfois, du fait d'une expansion naturelle de l'eau lorsque celle-ci est chauffée à l'intérieur du réseau d'alimentation en eau d'un véhicule de plaisance. Le réservoir du chauffe-eau Dometic comporte un intervalle d'air interne en haut du réservoir, permettant de réduire les risques d'égouttement. Au fil du temps, l'expansion de l'eau absorbe cet air et l'intervalle doit être rétabli.



AVERTISSEMENT BRÛLURES

- Couper le chauffe-eau avant d'ouvrir la soupape de décharge de type pression-température et rétablir l'intervalle d'air. L'eau contenue dans le réservoir doit être froide.

POUR RÉTABLIR L'INTERVALLE D'AIR, SUIVRE LES ÉTAPES SUIVANTES :

1. Couper l'alimentation principale en eau (la pompe ou la source d'apport en eau).
 2. Laisser l'eau refroidir ou la laisser couler jusqu'à ce qu'elle soit froide.
 3. Ouvrir le robinet d'eau chaude le plus proche du chauffe-eau.
 4. Tirer la poignée de la soupape de décharge de type pression-température vers soi et laisser l'eau couler, jusqu'à ce qu'elle s'arrête.
 5. Laisser la soupape de décharge de type pression-température revenir brusquement en position fermée ; fermer le robinet ; ouvrir l'alimentation en eau.
 6. Allumer le chauffe-eau et le tester.
- Faire fonctionner manuellement la soupape de décharge de type pression-température au moins une fois par an (FIG 10).

Lorsque la soupape de décharge de type pression-température s'écoule à nouveau, répéter la procédure ci-dessus. Pour une solution permanente, nous vous conseillons l'une des choses suivantes :

- Installer une soupape de décharge de type pression-température dans la conduite d'arrivée d'eau froide du chauffe-eau et fixer une conduite d'évacuation sur la vanne extérieure du véhicule. Régler la limite sur 680 à 850 kPa.
- Installer un réservoir d'expansion de type membrane dans la conduite d'arrivée d'eau froide. Le réservoir devrait permettre une dilatation d'environ 426 ml d'eau et une mise sous pression égale à la pression de l'alimentation en eau. Ces dispositifs sont disponibles chez un plombier ou dans un centre de service.

RINCER POUR ÉLIMINER LES MAUVAISES ODEURS

Une odeur d'œuf pourri (sulfure d'hydrogène) pourra se dégager du fait de l'action électrolytique du matériau de gainage qui dégage de l'hydrogène de l'eau. En cas de présence de soufre dans l'alimentation en eau, l'eau et le soufre se mélangent pour donner une odeur désagréable.

1. Couper l'alimentation principale en eau. Évacuer l'eau du réservoir du chauffe-eau et réinstaller le bouchon de vidange. Retirer la soupape de décharge de type pression-température. Préparer une solution de 4 parts de vinaigre blanc pour 2 parts d'eau. Au moyen d'un entonnoir, verser la solution à l'intérieur du réservoir, avec précaution.
2. Effectuer 4 à 5 cycles du chauffe-eau avec la solution indiquée ci-dessus en le laisser fonctionner normalement.
3. Retirer le bouchon de vidange et évacuer toute l'eau du réservoir. Rincer le chauffe-eau pour en éliminer tout sédiment. Il est possible de rincer le réservoir avec de l'air sous pression ou avec de l'eau fraîche. Appliquer la pression soit sur les clapets d'arrivée ou de sortie à l'arrière du réservoir, soit au raccord de la soupape de décharge de type pression-température se trouvant à l'avant de l'unité.

POUR RINCER LE RÉSERVOIR AVEC DE L'AIR SOUS PRESSION :

L'air sous pression devra passer par le raccord de la soupape de décharge de type pression-température. Le robinet de vidange ouvert, l'air sous pression forcera l'eau restante à s'écouler de l'unité.

Pour rincer le réservoir avec de l'eau sous pression :

Il faudra pomper de l'eau fraîche dans le réservoir, soit avec la pompe transportée à bord, soit avec de l'eau sous pression externe. Continuer le processus de rinçage pendant environ 5 minutes ; ceci permet à l'eau fraîche de remuer l'eau stagnante du fond du réservoir et de pousser les dépôts par l'orifice d'évacuation.

4. Replacer le bouchon de vidange et la soupape de décharge de type pression-température.
5. Remplir le réservoir avec de l'eau fraîche ne contenant pas de soufre.

Le chauffe-eau Dometic est conçu pour être utilisé dans les véhicules de plaisance. Si vous utilisez votre véhicule fréquemment ou pour des périodes prolongées, rincer le chauffe-eau plusieurs fois par an permettra de prolonger la vie du réservoir d'approvisionnement.

INTENTIONALLY LEFT BLANK

DOMETIC WATER HEATER LIMITED WARRANTY

Dometic warrants to the original owner and subject to the below mentioned conditions, that this product will be free of defects in material or workmanship for a period of two years from the original date of purchase. Dometic's liability hereunder is limited to the replacement of the product, repair of the product, or replacement of the product with a reconditioned product at the discretion of the manufacturer. This warranty is void if the product has been damaged by accident, unreasonable use, neglect, tampering or other causes not arising from defects in material workmanship. This warranty extends to the original owner of the product only and is subject to the following conditions:

1. For a period of two years from the date of purchase, Dometic will replace the complete water heater if the inner tank leaks due to corrosion. This warranty includes reasonable labor charges required to replace the complete water heater.
2. For two years from the date of purchase, Dometic will repair or replace any part defective in material or workmanship. This warranty includes reasonable labor charges, required to remove and replace the part. Service calls to customer's location are not considered part of these charges and are, therefore, the responsibility of the owner.
3. This warranty does not cover the following items classified as normal maintenance:
 - a. adjustment of gas pressure
 - b. cleaning or replacement of burner orifice
 - c. cleaning or adjustment of burner tube
 - d. cleaning or adjustment of flue
 - e. cleaning or adjustment of pilot and thermocouple
 - f. adjustment of pressure-temperature relief valve
 - g. replacement of thermal cut-off device.
4. **In the event of a warranty claim, the owner must contact, in advance, either an authorized Dometic Service Center or the Dometic Service Department. Warranty claim service must be**

performed at an authorized Dometic Service Center (a list will be provided at no charge) or as approved by the Consumer Service Department, Dometic, 1120 North Main St., Elkhart, IN 46514 USA. Phone: (1-866-869-3118).

5. Return parts (or water heater) must be shipped to Dometic "Prepaid". Credit for shipping costs will be included with the warranty claim. The defective parts (or water heater) become the property of Dometic and must be returned to the Consumer Service Department, Dometic, 6320 Kelly Willis Road, Greenbrier, TN 37073 USA.
6. This warranty applies only if the unit is installed according to the installation instructions provided and complies with local and state codes.
7. The warranty period on replacement parts (or water heater) is the unused portion of the original warranty period or ninety (90) days, whichever is greater.
8. Damage or failure resulting from misuse (including failure to seek proper repair service), misapplication, alterations, water damage, or freezing are the owner's responsibility.
9. Dometic does not assume responsibility for any loss of use of vehicle, loss of time, inconvenience, expense for gasoline, telephone, travel, lodging, loss or damage to personal property or revenues. Some states do not allow the exclusion or limitation of incidental or consequential damages, so the above limitations or exclusions may not apply to you.
10. Any implied warranties are limited to two (2) years. Some states do not allow limitations on how long an implied warranty lasts, so the above limitation may not apply to you. This warranty gives you specific legal rights and you may also have other rights which vary from state to state.
11. Replacement parts (components or tanks) purchased outside of the original water heater warranty carry a 90 day warranty. This includes the part at no charge and reasonable labor charges to replace it.

This Dometic heater is designed for use in recreational vehicles for the purpose of heating water as stated in the "data plate" attached to the water heater. Any other use, unless authorized in writing by the Dometic Engineering Department, voids this warranty.

GARANTIE LIMITÉE POUR CHAUFFE-EAU Dometic

Dometic garantit ce produit à l'acheteur initial, suivant les termes stipulés ci-dessous, contre tout défaut de matériel ou de fabrication, pendant une période de deux ans à compter de la date d'achat.

La responsabilité de Dometic décrite ci-dessous se limite au remplacement ou à la réparation du produit par un produit reconditionné, à la discrétion du fabricant. La présente garantie est annulée si le produit est endommagé du fait d'un accident, d'une utilisation non raisonnable, d'une négligence, d'une modification du produit ou de tout autre cause non liée au matériau ou à un vice de fabrication. La présente garantie ne s'applique qu'à l'acheteur initial et elle est soumise aux conditions suivantes :

1. Pendant une période de deux ans, à compter de la date d'achat, Dometic remplacera tout le chauffe-eau si le réservoir interne fuit pour des raisons de corrosion. La présente garantie couvre les frais raisonnables de main-d'œuvre nécessaires au remplacement du chauffe-eau.
2. Pendant deux ans, à compter de la date d'achat, Dometic réparera ou remplacera toute pièce trouvée défectueuse en raison du matériau ou d'un vice de fabrication. La présente garantie couvre les frais raisonnables de main-d'œuvre nécessaires au retrait et au remplacement de la pièce. Les visites pour l'entretien chez le client ne sont pas prises en charge et restent donc la responsabilité du client.
3. La présente garantie ne couvre pas les articles suivants, qui sont considérés comme faisant partie de l'entretien régulier :
 - a. Réglage de la pression du gaz
 - b. nettoyage ou remplacement de l'orifice du brûleur.
 - c. nettoyage ou réglage du tube du brûleur
 - d. nettoyage ou réglage du conduit
 - e. nettoyage ou réglage de la veilleuse et du thermocouple
 - f. réglage de la soupape de décharge de type pression-température
 - g. remplacement du dispositif de coupure thermique
- b. Dans l'éventualité d'une réclamation de garantie, l'acheteur doit contacter, à l'avance, soit un centre de service Dometic agréé, soit le Service à la clientèle Dometic. La réclamation de garantie doit être exécutée dans un centre de service Dometic agréé (une liste vous sera fournie gratuitement) ou selon les procédures reconnues par le Service clientèle Dometic (Consumer Service Department) Dometic, 1120 North Main St., Elkhart IN 46514 États-Unis. Téléphone : (1-866-869-3118).

5. Les pièces retournées (ou le chauffe-eau) doivent être expédiées à Dometic, tout port payé. Un avoir pour les frais d'expédition sera compris avec la réclamation de garantie. Les pièces défectueuses (ou le chauffe-eau) deviennent la propriété de Dometic et doivent être retournées à Consumer Service Department, Dometic, 6320 Kelly Willis Road, Greenbrier, TN 37073 États-Unis.
6. La présente garantie s'applique uniquement si l'unité est installée selon les consignes d'installation fournies, en conformité avec les codes locaux et nationaux.
7. La période de garantie pour les pièces de remplacement (ou le chauffe-eau) est la période inutilisée de la période de garantie initiale.
8. Tout dommage ou toute déficience résultant d'une mauvaise utilisation (y compris le manquement à faire effectuer les réparations nécessaires), d'une mauvaise mise en application, de modifications, de dommages causés par l'eau ou par le gel relèvent de la responsabilité de l'acheteur.
9. Dometic n'est aucunement responsable de l'impossibilité d'utiliser le véhicule, de toute perte de temps, de tout dérangement et de tous frais d'essence, de téléphone, de déplacement, de logement, de perte ou de dommages aux biens personnels ou de perte de revenus. Certains États ne permettent pas l'exclusion ou la limitation des dommages accessoires ou indirects ; il est donc possible que les limitations ou exclusions ci-dessus ne s'appliquent pas à votre cas.
10. Toute garantie implicite est limitée à une période de deux (2) ans. Certains États ne permettent pas de limiter la période d'une garantie implicite, donc il est possible que la limite ci-dessus ne vous concerne pas: La présente garantie vous accorde des droits légaux particuliers mais il est également possible que vous ayez certains droits supplémentaires, selon les États.
11. Les pièces de remplacement (composantes ou réservoirs) achetées en dehors de la garantie initiale du chauffe-eau sont couvertes par une garantie de 90 jours ; Ceci comprend la pièce sans frais et les frais raisonnables de main-d'œuvre découlant du remplacement.

Ce chauffe-eau Dometic est conçu pour utilisation en véhicule de plaisance et dans le but de chauffer l'eau comme le stipule la plaque signalétique fixée au chauffe-eau. Toute autre utilisation, à moins d'une autorisation écrite du Service technique Dometic, annule la présente garantie.